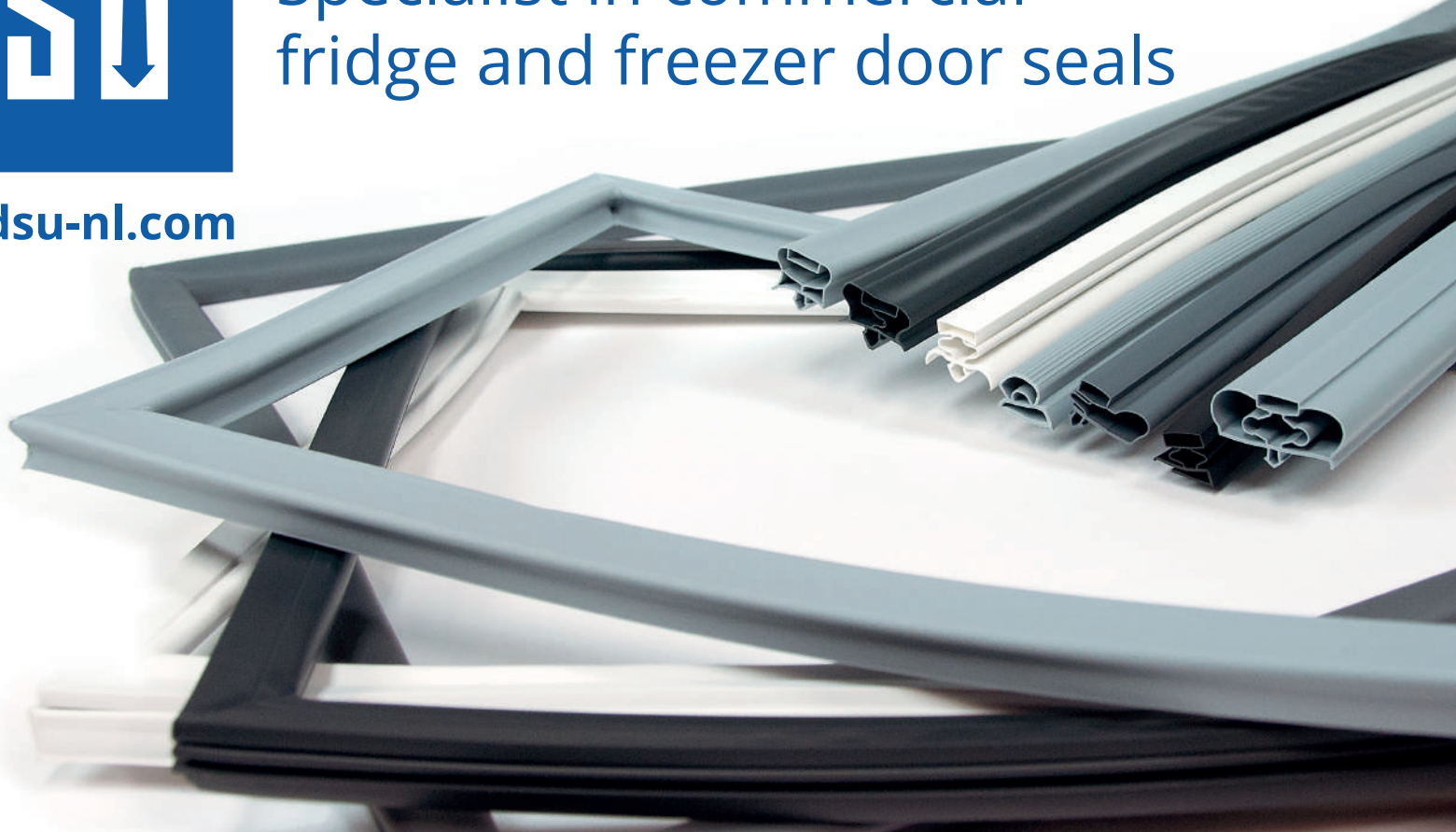




2024 ENGLISH

Specialist in commercial fridge and freezer door seals

www.dsu-nl.com




 In-house
production

 Extensive
product range

 +1 Order from
1 piece

 Always a
fitting solution

 Support with selecting
the correct profile

 Fast
delivery

DSU Fridge Seal B.V.

Neutronenlaan 1
5405 NG Uden
The Netherlands

☎ +31 413 264 472

☎ +31 413 269 068

✉ sales@dsu-nl.com











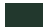



🌐 www.dsu-nl.com

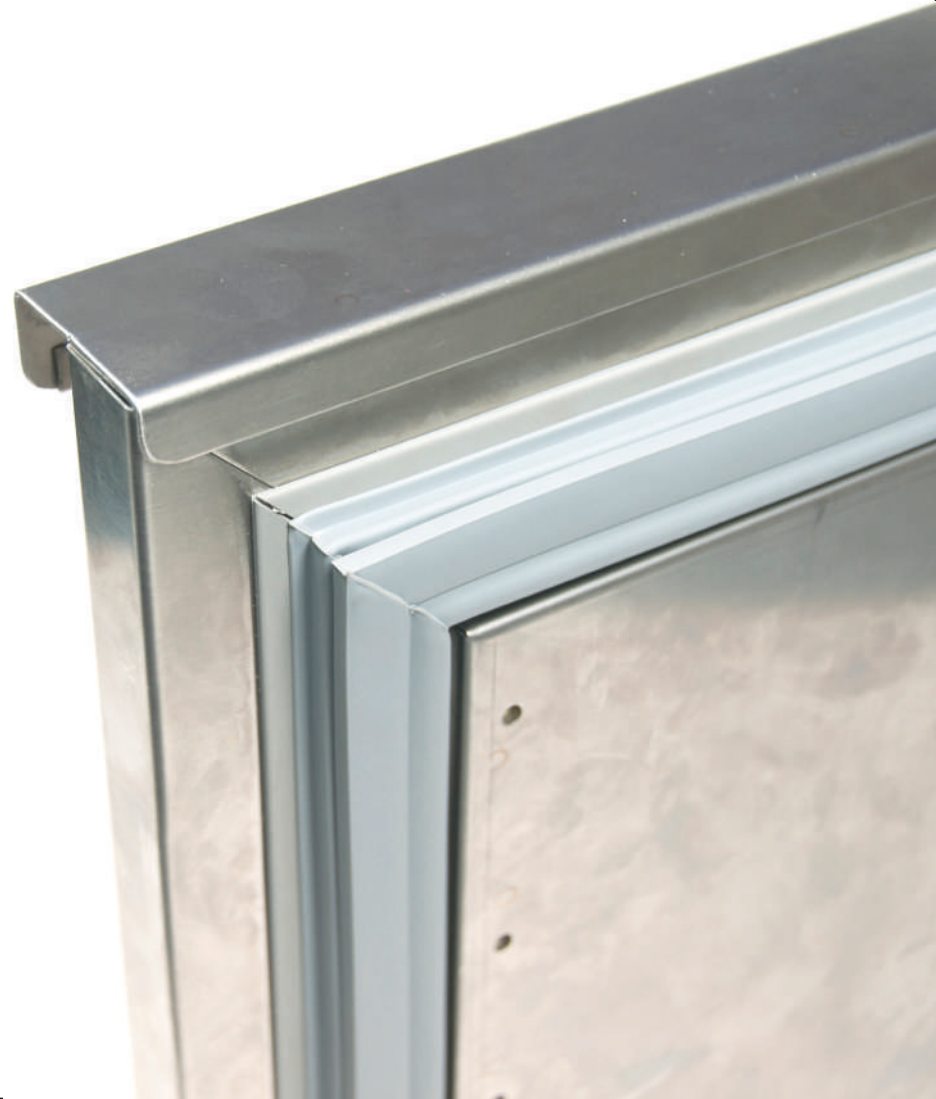
📞 +31 6 30 50 3000

WhatsApp

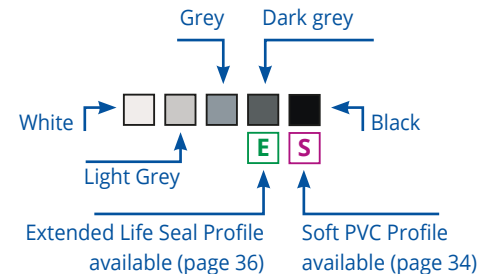
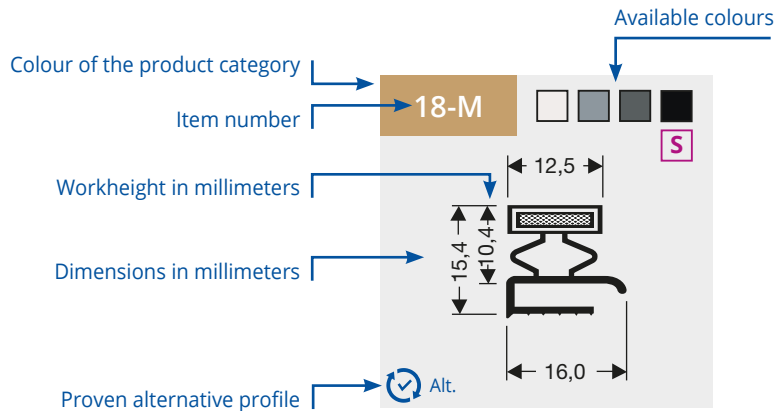


Index

Illustrations explained	2
About us	3
Replace a seal in 4 steps	5
Maintenance	9
 Dart profiles with magnet	10
 Dart profiles, large dart with magnet	17
 Dart profiles without magnet	20
 Lip profiles with magnet	24
 Flap profiles with magnet	26
 Compression profiles without magnet	28
 Profiles which can be counter-welded	30
Information on available material compositions	32
 Profiles made from Soft PVC	34
 Profiles made from TPE (Extended Life Seal)	36
 Silicone profiles	38
 Rubber profiles	42
 Rubber sweeper profiles	48
 EPDM: Neoprene sponge rubber and foam profiles	51
 Magnets and Retainingstrips	52

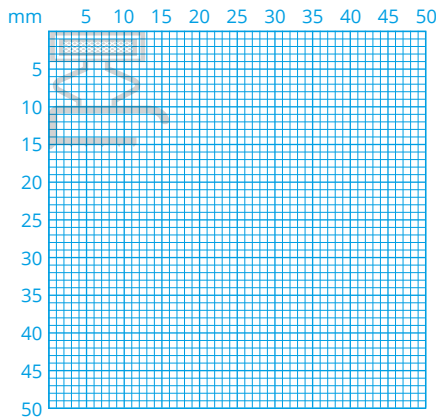


Instructions for using the illustrations



Place a profile cross-section in the upper left corner and take a picture. Send the picture via WhatsApp, email or upload via the website.

WhatsApp
+31 6 30 50 3000



All profile drawings in the catalog are shown on the scale 1:1.

Printinstructies
Instructions for printing
Anweisungen zum ausdrucken

50 mm

Gelieve deze catalogus op 100% printen
Please print this catalog on 100%
Bitte diesen Katalog in 100% ausdrucken

About us



Since the start, in the early '70s, DSU has grown to become a company specialising in the manufacturing of bespoke refrigerator and freezer seals for commercial refrigeration equipment.

With our products we serve commercial refrigeration and kitchen maintenance companies. We also deliver our (magnetic) seals to refrigeration equipment manufacturers and spare parts dealers.

Always a suitable solution

"Always a suitable solution" that is our goal. With over 220 different seal profiles available from stock. DSU is the leading manufacturer of bespoke refrigerator and freezer seals on the European market.

Are you unable to find the profile you are searching for or do you have any doubt about the matching profile? Send us a photograph of the cross section via email or WhatsApp. We are glad to help you find the right profile or a suitable alternative.

Search by brand

An overview with the seal profiles used by brand you can find on our website.

Fast delivery

We have our own in-house manufacturing department. This enables us to manufacture bespoke seals quickly. Our regular lead-time is 2 – 4 working days.

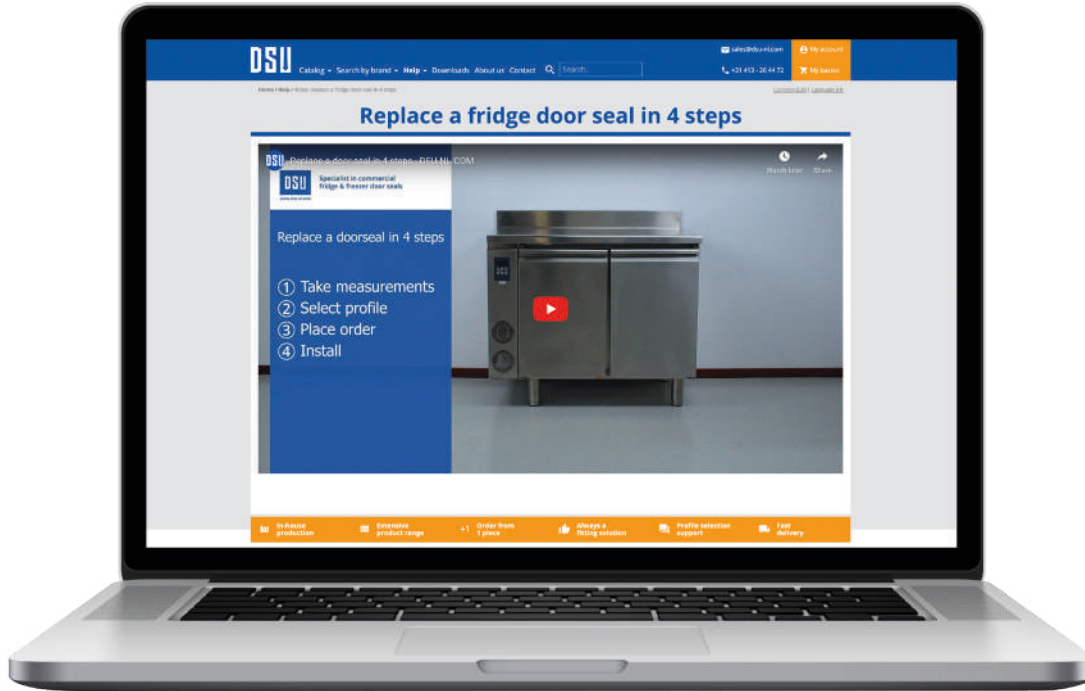
Express orders are shipped the same day if received before noon (CET). Express orders are subject to a surcharge with a maximum of 10 seals per order.

Quality

Competent employees manufacture bespoke seals with utmost care and precision so they will fit perfectly in the door or drawer. We exclusively utilise materials from approved suppliers. The chance of a manufacturing defect is reduced to an absolute minimum through our quality assurance system.

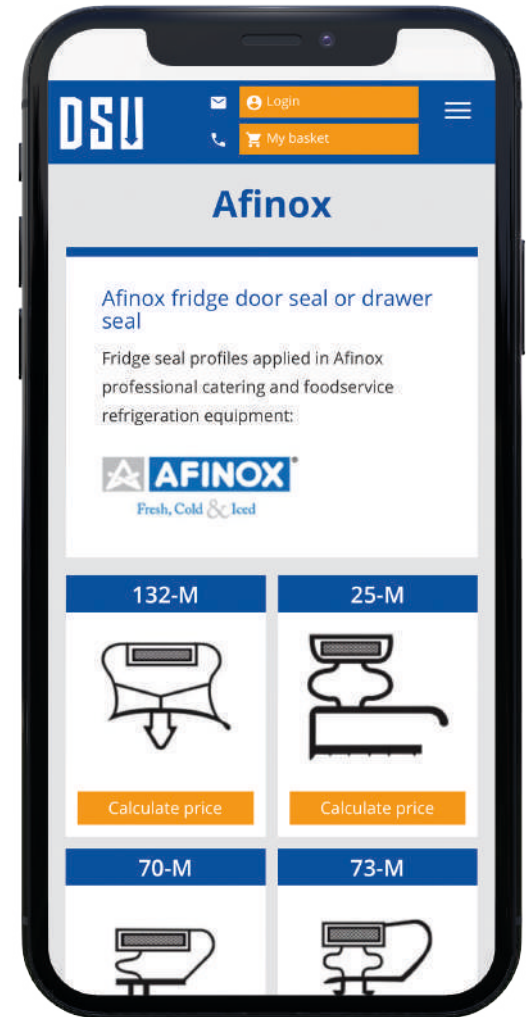
Serial production

Large numbers of seals (50+) with similar dimensions can be mass produced at attractive prices. Contact our sales department with your inquiry.



Watch the instructional videos on our website

Copyright 2024 DSU BV
September 2024



Profiles overview by brand

Replace a seal in four steps

- ① Take measurements
- ② Profile selection
- ③ Order
- ④ Installation



See instructional videos on our website under "help" or scan the QR code

① Take measurements



Taking correct measurements is important when ordering made-to-measure door seals. There are three methods to determine the seal measurements.

- A size (Outside-to-Outside)
- B size (Magnet-to-Magnet)
- C size (Dart-to-Dart)

A size

The outside-to-outside measurements (A size) are most commonly used to determine the fridge seal dimensions (width x height). A size example, see page 25. We advise to take outside-to-outside measurements while the seal is still fitted in the door or drawer.

The A size can be applied for any type of fridge seal.

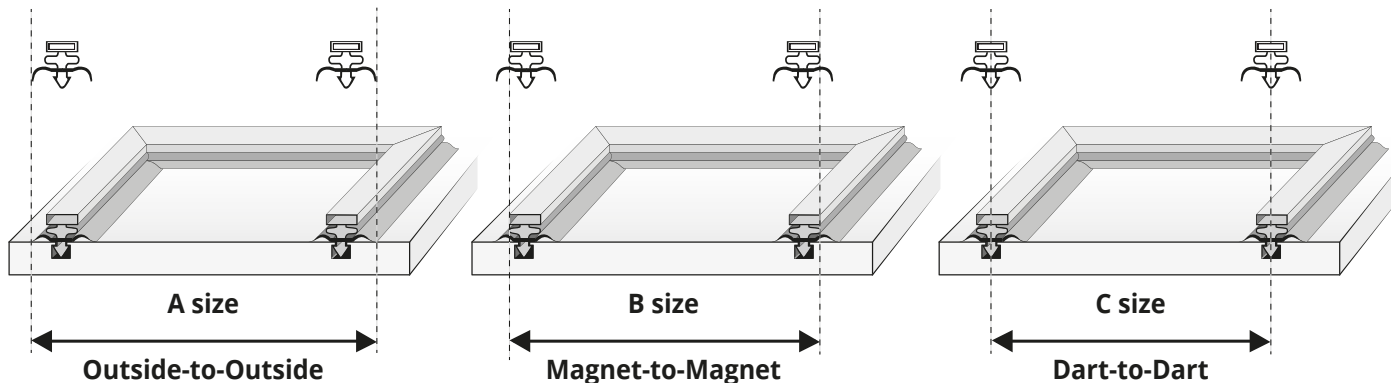
B size

Magnet-to-Magnet (B size) is measured from outside of the magnet to outside of the seal magnet on the opposite side. This method is not commonly used.

C size

For push-in (dart type) profiles we advise to take the dart-to-dart (C size) measurements. C size example, see page 23. This is commonly referred to as the centreline measurements. In practice this means you measure inside the door or drawer from the inside edge of the slot on one side to the outside edge of the slot on the other side.

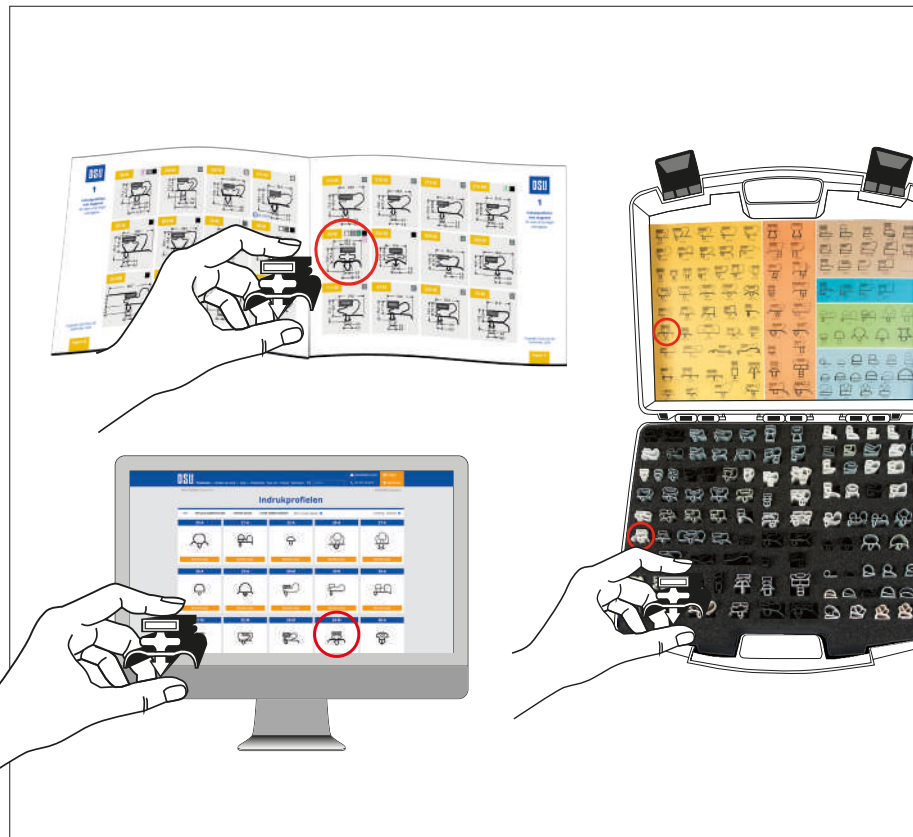
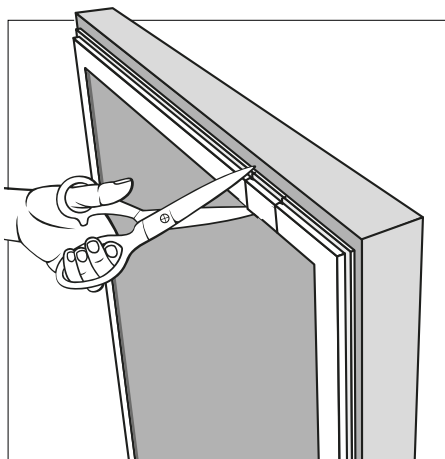
This is the preferred method because it gives the most precise measurements.



② Profile selection

Identify the seal profile with the fridge seal cross-section. You can see the cross-section by cutting the seal at the top side using scissors or a craft knife.

If you know the equipment brand you can find all the profiles used by brand on our website. Brand not known? Compare the cross-section with the drawings (scale 1:1) in our catalogue or use our professional sample case.



Professional sample case
We have compiled a professional sample case for engineers. The sample case contains over 100 of the most commonly used seal / gasket profiles. This sample kit can be ordered on our webportal.

Are you unable to find the profile you are searching for? Or do you have any doubt about the matching profile? Send us a photograph of the cross-section via WhatsApp (+31 6 30 50 3000), email or through our website www.dsu-nl.com. We are glad to help you find the right profile or a suitable alternative.

It is also possible to send a cross-section of the seal by post along with our order form. The order form can be found on our website.

www.dsu-nl.com/en-EU/downloads



3 Order

Use our online seal configurator for the easy composition of a bespoke fridge seal.

- Website www.dsu-nl.com
- E-mail sales@dsu-nl.com
- Mail *Neutronenlaan 1, 5405 NG Uden, The Netherlands*
- Phone +31 413 264 472

The screenshot shows the DSU website's online seal configurator for profile 34-M. The interface includes a navigation bar with the DSU logo, contact information, and a search bar. Below the navigation bar, there are logos for various brands used in the products. The main configuration area is divided into several sections:

- Materials:** Two options are shown: 'Standard profile 34-M' for EUR 0,00 and 'Soft profile 34-MS' for EUR 0,00.
- Composition:** A dropdown menu is set to '4 sides - 4x magnet'. There is an unchecked checkbox for 'Strong magnet'.
- Measurement method:** Three radio buttons are available: 'A size (Outside-to-Outside)' (selected), 'B size (Magnet-to-Magnet)', and 'C size (Dart-to-Dart)'.
- Color:** Three color swatches are shown: black (selected), white, and grey.
- Measurements:** A diagram shows a rectangular seal with a 'short side' of 58.6 cm and a 'long side' of 61.8 cm.
- Reference:** A text field contains 'Foster counter'.
- Summary:** A small diagram of the seal and a list of specifications: '34-M', '4 sides - 4x magnet', 'A size (Outside-to-Outside)', 'Black', and '61.8 cm x 58.6 cm (length x width)'. Below this is a table:

Per piece	EUR 0,00
Quantity	1
Sub total	EUR 0,00
Total amount	EUR 0,00

 At the bottom of the configuration area, there is a 'Quantity' input field set to 1 and a 'Collective discount' indicator. An orange 'Add to basket' button is located at the bottom right of the configuration area. The footer of the website features several icons and text: 'In-house production', 'Extensive product range', 'Order from 1 piece', 'Always a fitting solution', 'Profile selection support', and 'Fast delivery'.

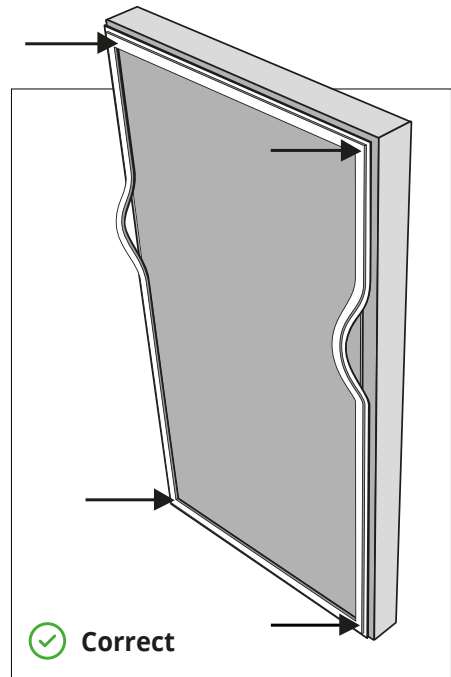
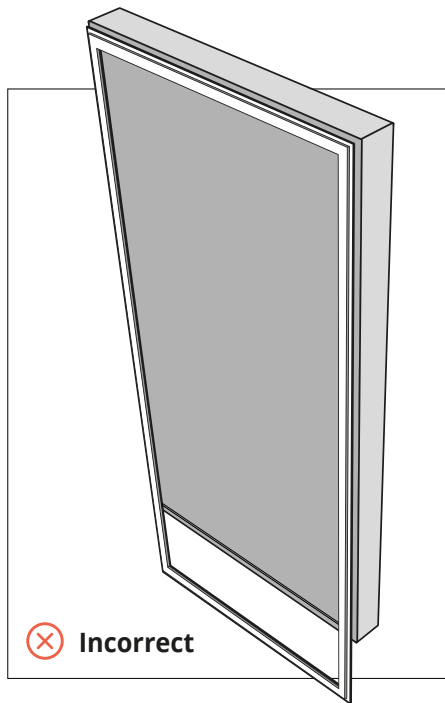
④ Installation

Before installation

- Take the seal from the box upon receipt.
- Always hold the seal by its corners to keep the magnetic strip from breaking.
- Lay down and unfold the seal.
- Allow the seal to reach the ambient temperature
- Wrinkles and creases (caused by transportation or storage) can be removed by gently warming the seal with a blow-dryer or heat gun.
- Gently remove the old seal from the door or drawer.
- Clean the door or drawer tracking and cabinet face thoroughly. Use a clean cloth and professional fridge seal cleaner.
- Disinfect the door or drawer tracking and cabinet face with an approved disinfectant. Let it sit for 30 seconds and wipe dry with a clean cloth before placing the new seal.

Installation

- Place the corners of the seal first followed by the short and long sides, this to keep the seal from stretching.
- With push-in (dart) seal profiles: check all the way around if the seal is fully secured in the tracking.
- Remove any creases or cracks by gently warming the seal with a blow-dryer or heat gun.



- Directly after installation a magnetic seal can have less power of attraction. It can take several weeks for the magnet to reach its optimal power of attraction.
- In case a corner breaks during installation this can be repaired by using superglue.

Check the following points in case the seal does not seal the fridge correctly after installation

- Are the profile and measurements ordered correctly?

- Is the seal properly pushed into the tracking all the way around?
- Have all creases or cracks been removed with a blow dryer or heat gun?
- Is the door, drawer or lid not crooked or twisted?
- Does the cabinet face contain a counter magnet that repels the seal?
- Does the seal wrench on the hinge side? If so, put the door without hinges against the cabinet and re-install the hinges.

Maintenance



The life span of a fridge seal will be extended when properly cleaned on a daily basis. Fats & Food spills cause the material that seals are made of to dry out and get brittle which then cause it to rip easily. Cleaning daily can prevent this from happening. Be mindful that an intact and clean seal is also important for general kitchen hygiene and food safety.

Advice

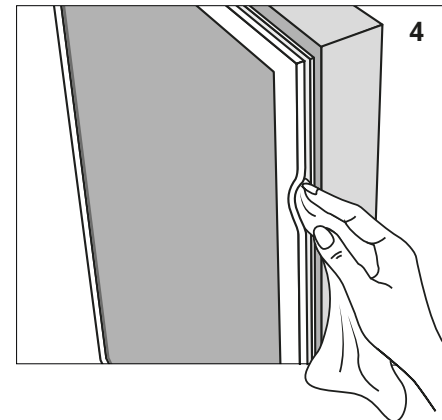
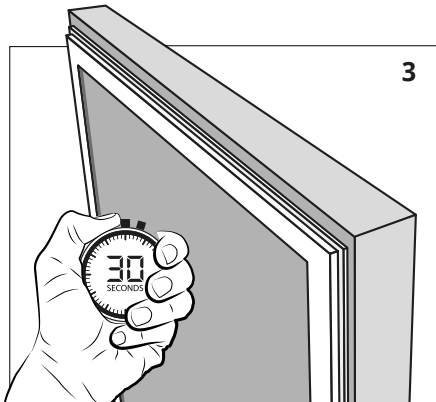
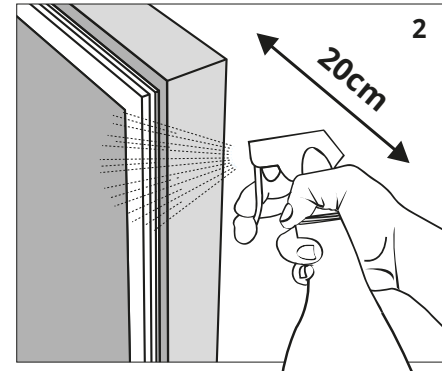
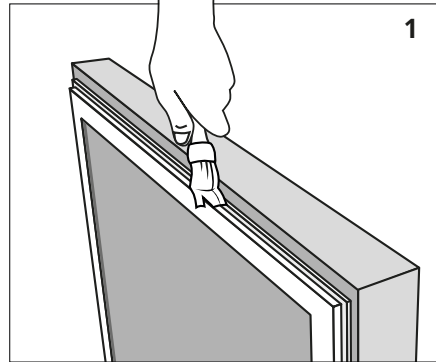
A split, worn or broken fridge seal has a significant impact on the cooling capacity and energy consumption of refrigeration equipment. Without a proper seal, the refrigerator or freezer “leaks” cold air causing the cooling compressor to run more frequently or even continuously in order to keep the cabinet contents at the set temperature. Maintenance of fridge seals is important for food safety; it avoids maintenance cost and reduces the energy consumption up to 25%.

General

Use a soft dry cloth with a professional fridge seal cleaner or a heavily diluted water-based cleaning agent for maintenance. Be mindful that aggressive cleaning agents, such as all-purpose cleaners, sanitisers, oven cleaners and aggressive degreasers cause irreparable damage when used on fridge seals.

Cleaning

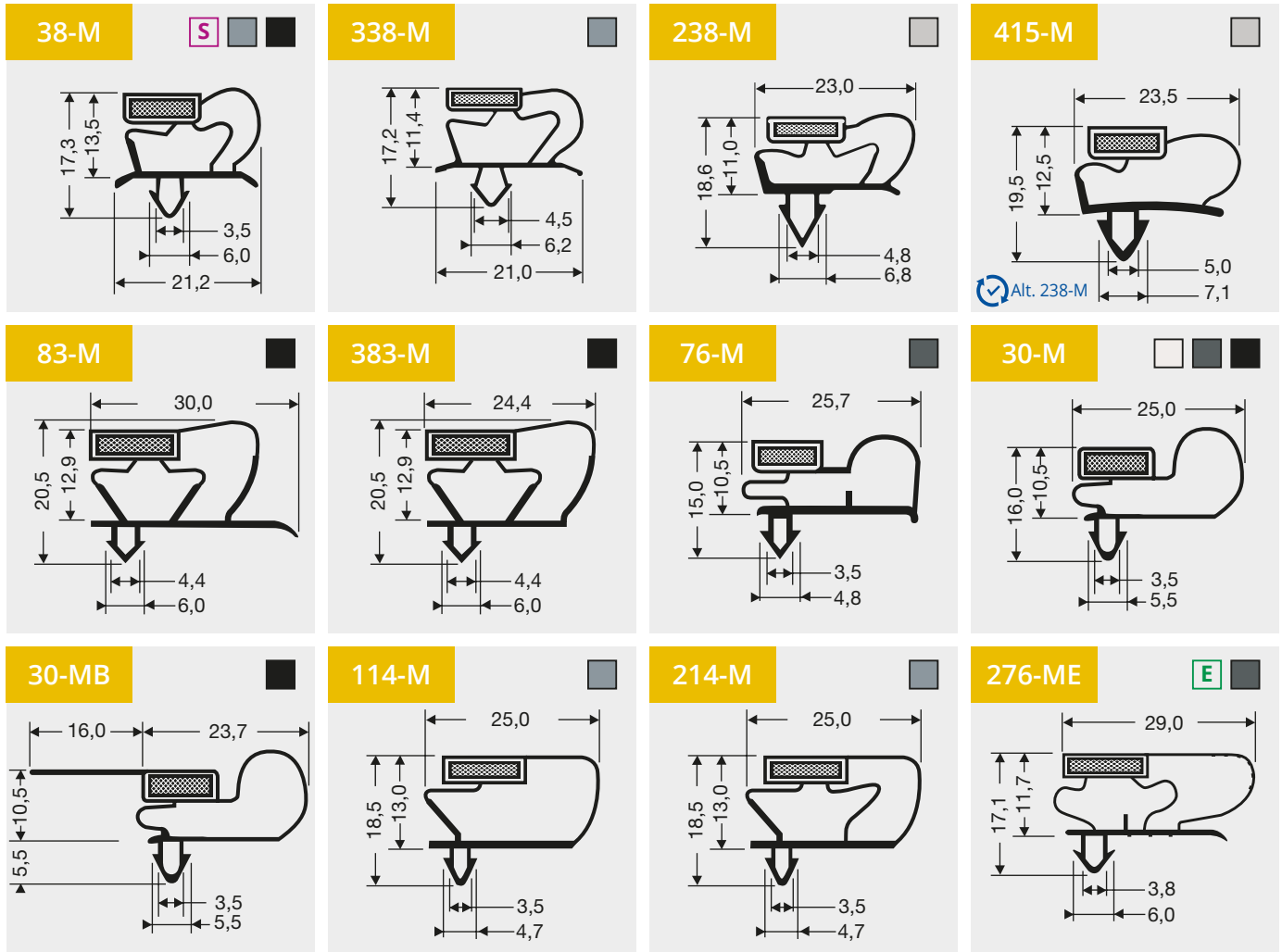
- 1 Remove any visible forms of contamination such as crumbs from in-between the folds of the seal. Use a brush or a clean dry cloth. Don't use any sharp objects to get in-between the folds because this can cause irreparable damage to the seal.
- 2 Apply the (diluted) cleaner on the seal with the spray bottle or a cloth.
- 3 Let it sit for 30 seconds.
- 4 Wipe dry with a clean dry cloth, also between the folds. Repeat treatment until the seal is entirely clean.



1

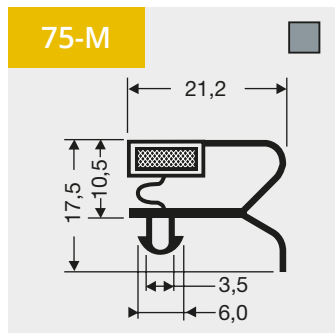
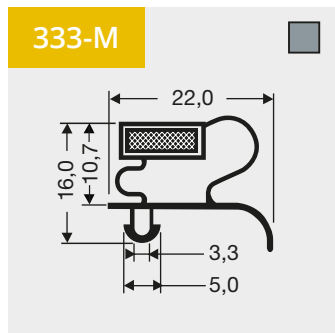
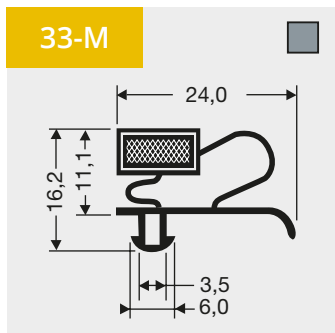
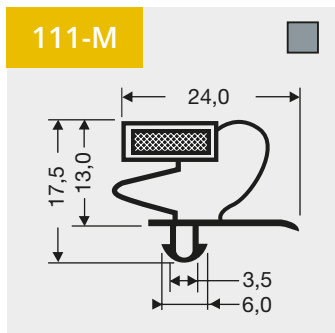
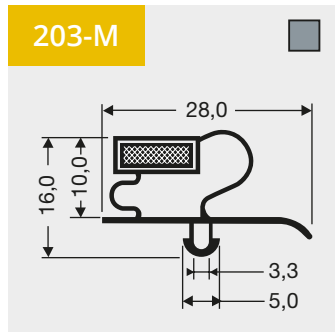
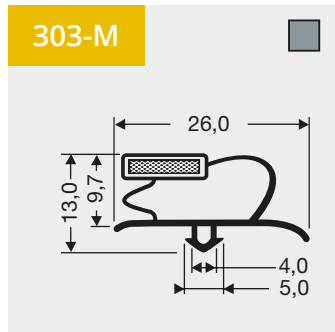
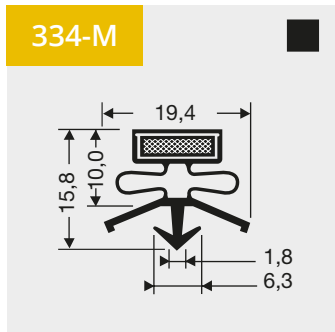
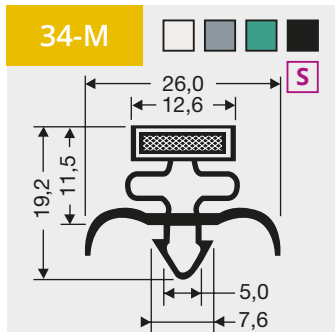
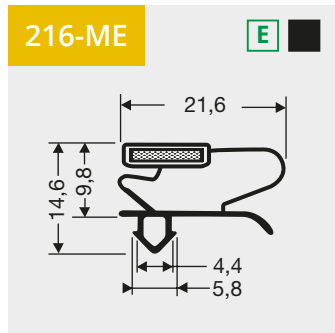
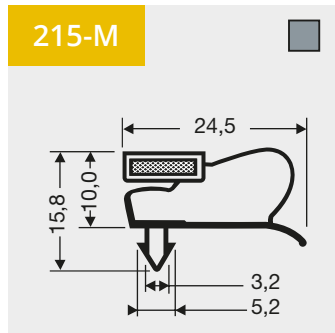
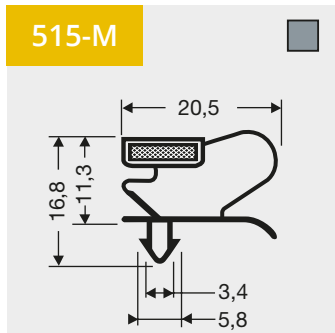
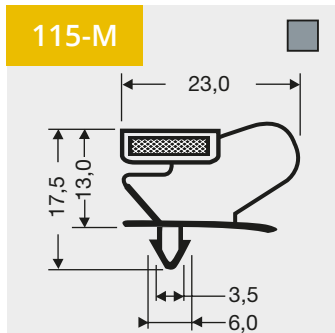
Dart profiles with magnet

Available as frame or profile length.



1

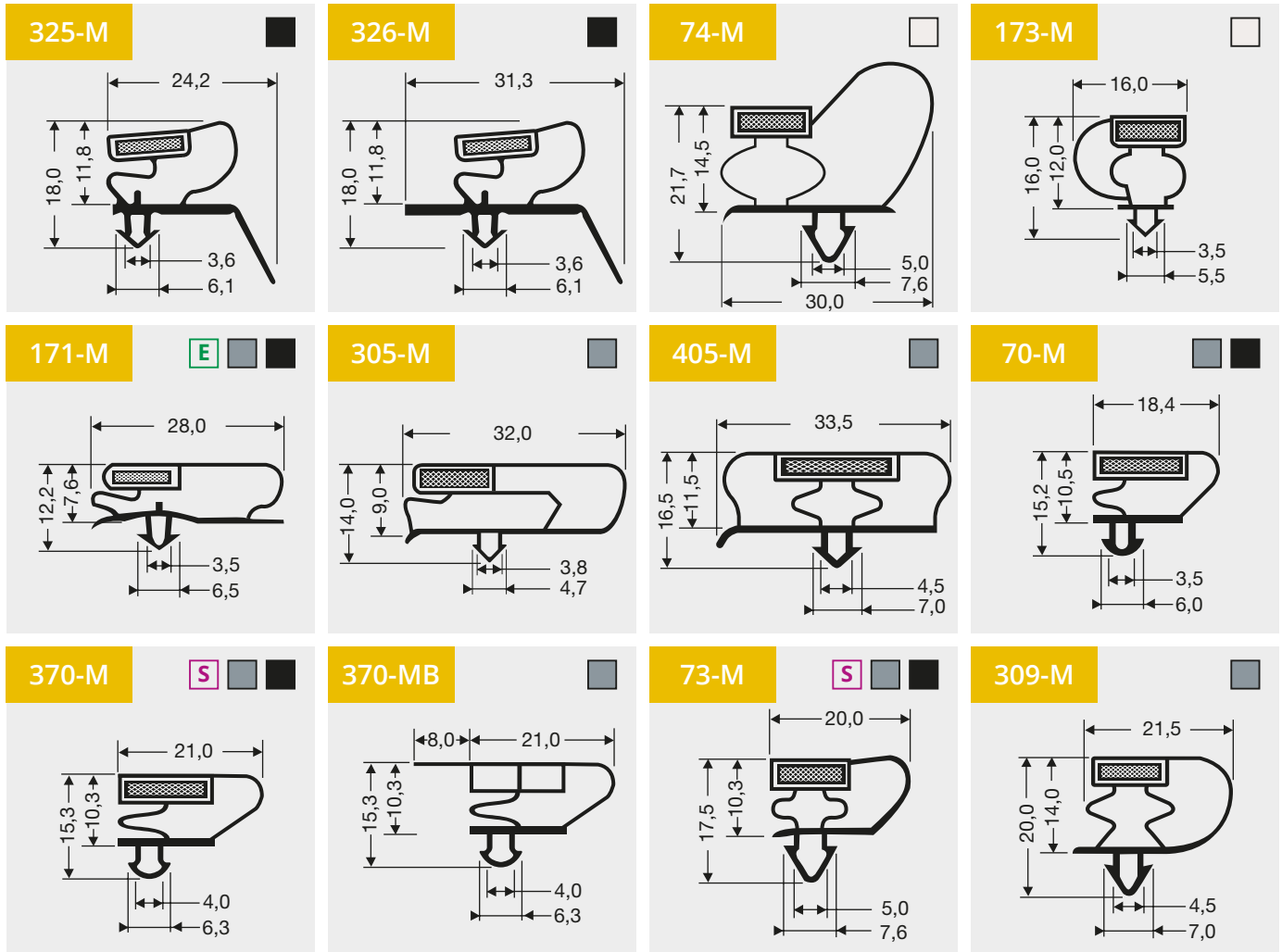
Dart profiles with magnet
Available as frame or profile length.



1

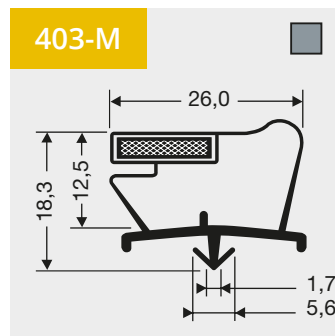
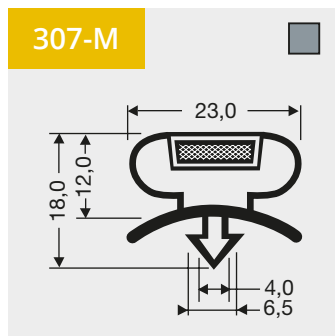
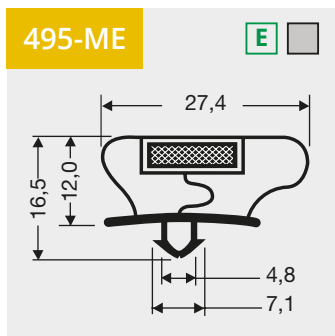
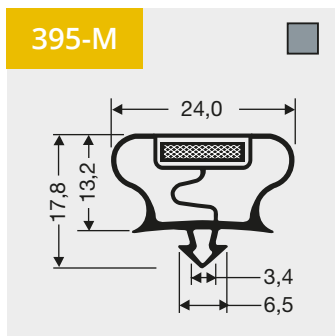
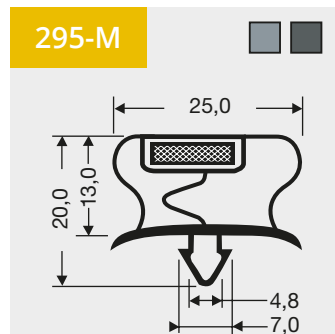
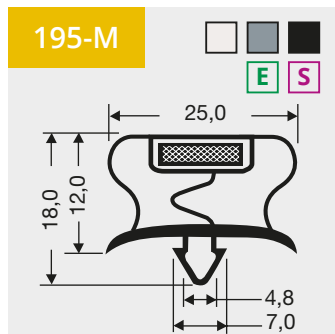
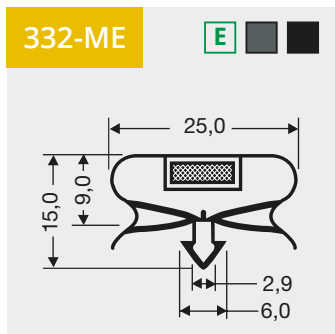
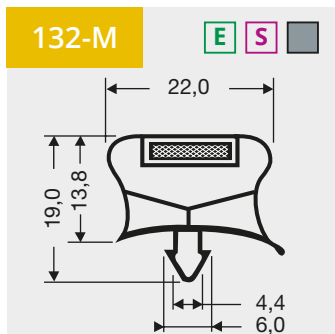
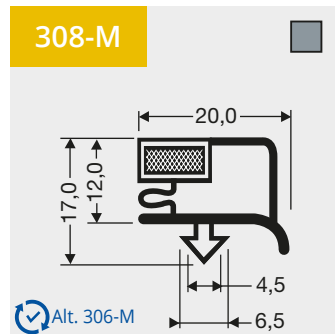
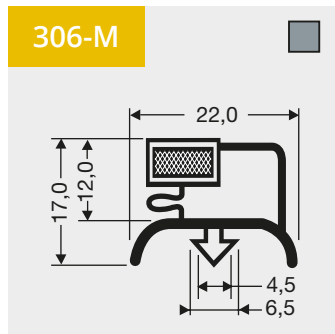
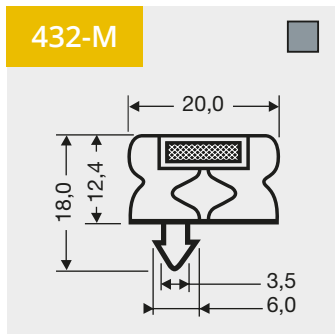
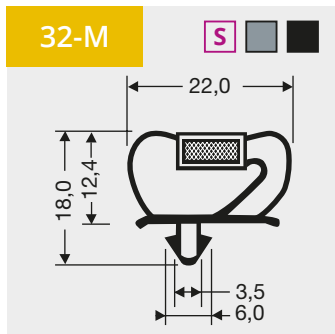
Dart profiles with magnet

Available as frame or profile length.



1

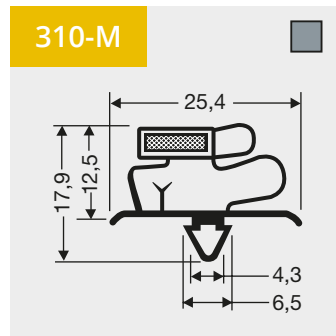
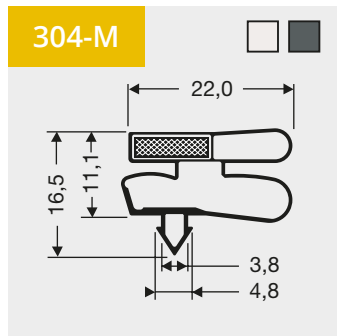
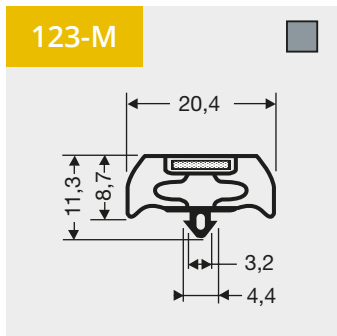
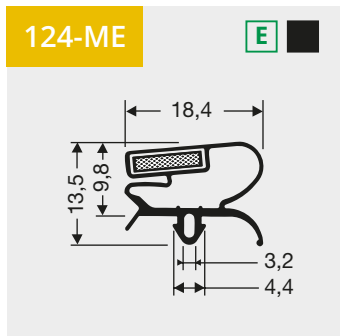
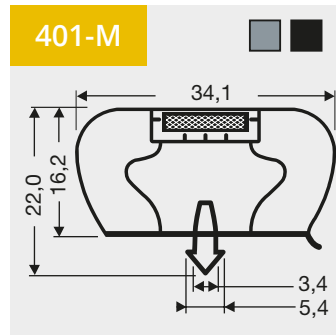
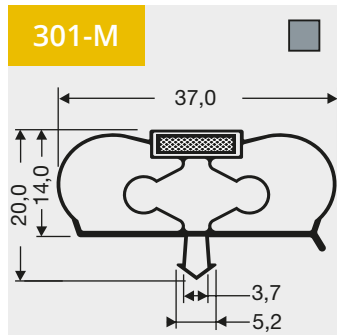
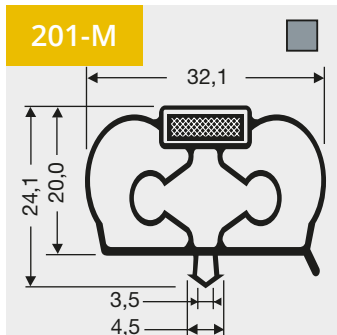
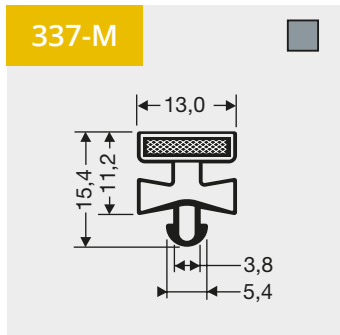
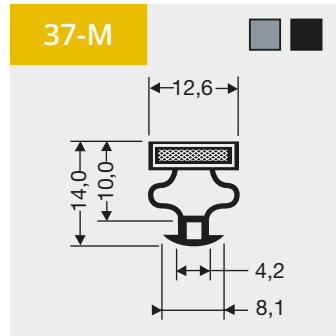
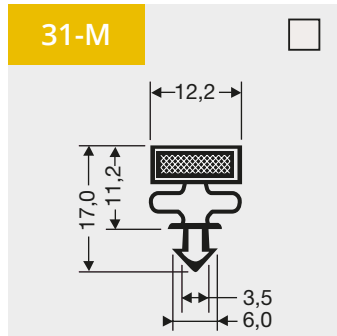
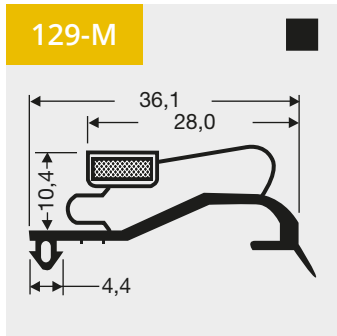
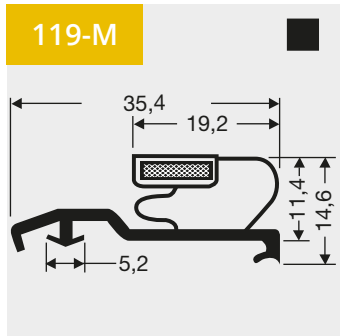
Dart profiles with magnet
Available as frame or profile length.



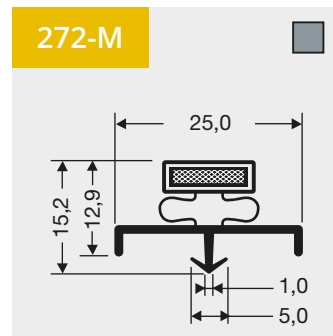
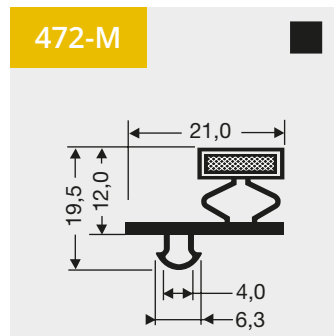
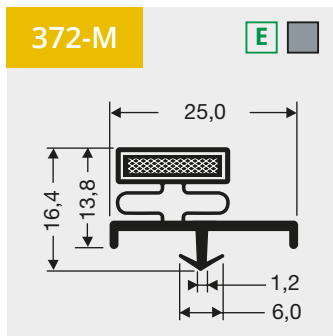
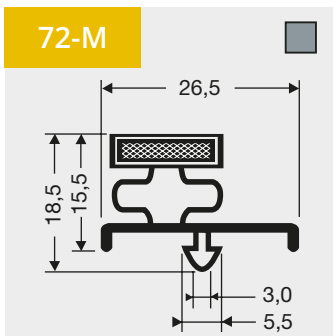
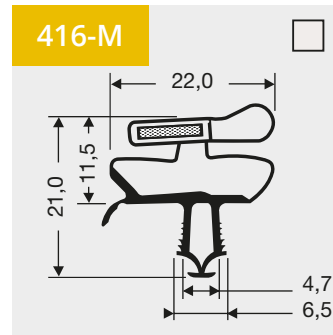
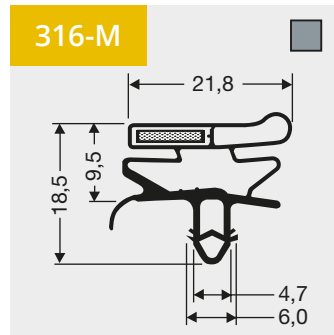
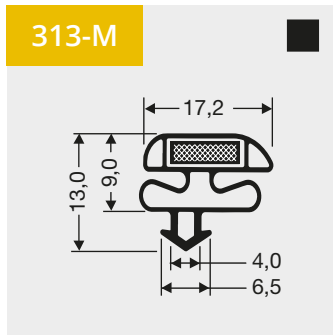
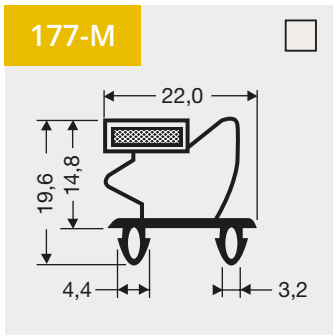
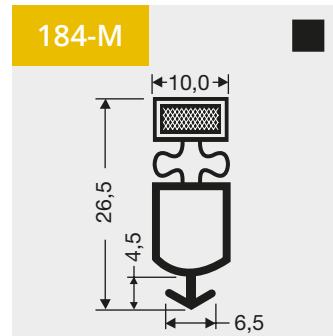
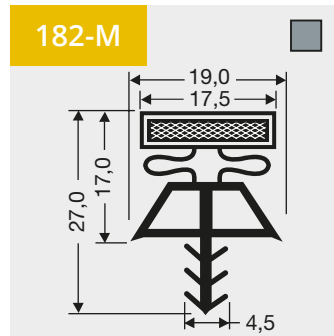
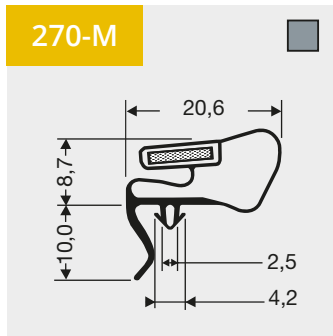
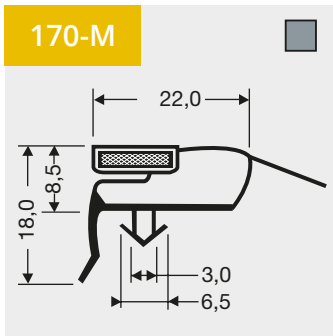
1

Dart profiles with magnet

Available as frame or profile length.



Dart profiles with magnet
Available as frame or profile length.

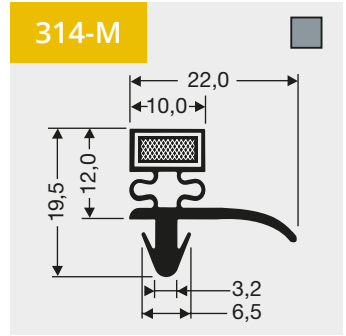
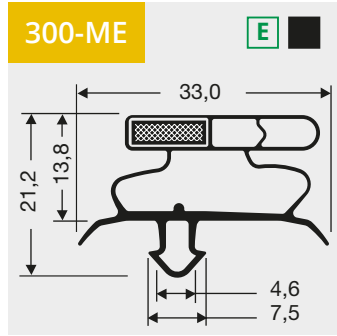
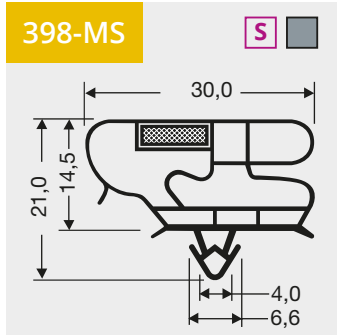
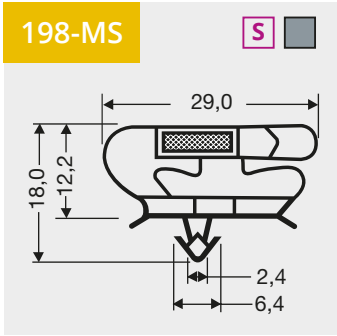




1

Dart profiles with magnet

Available as frame or profile length.

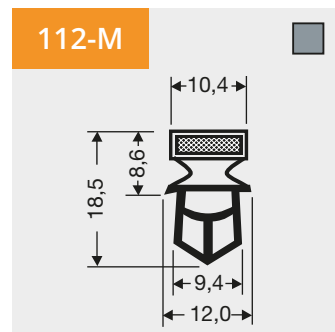
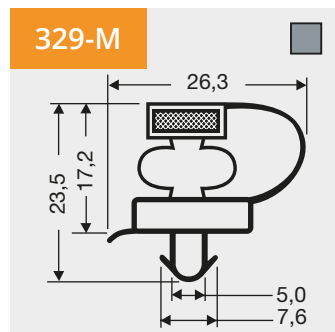
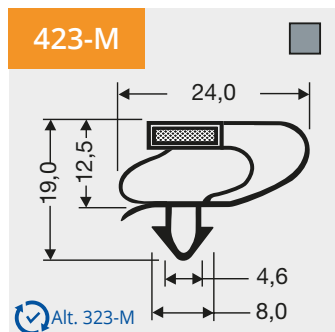
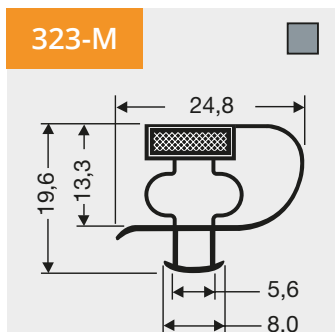
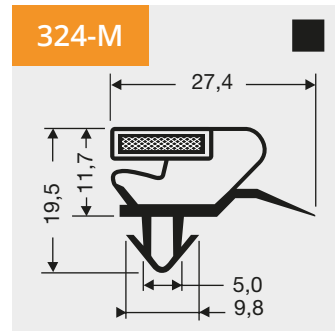
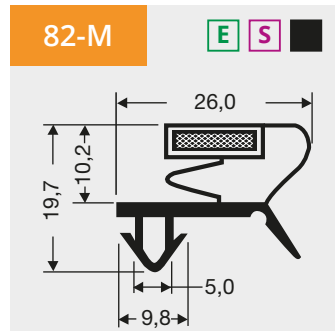
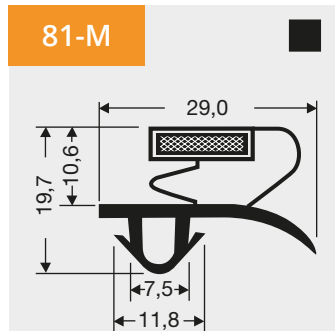
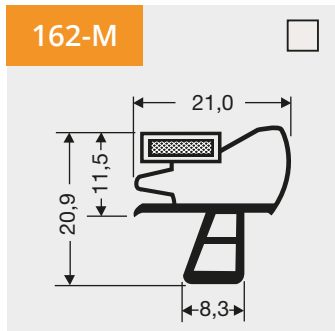
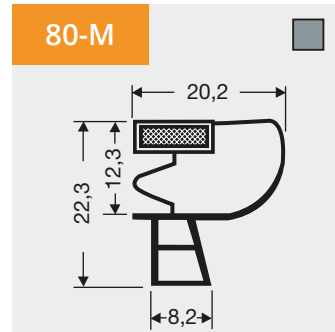
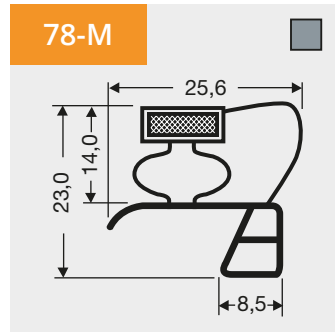
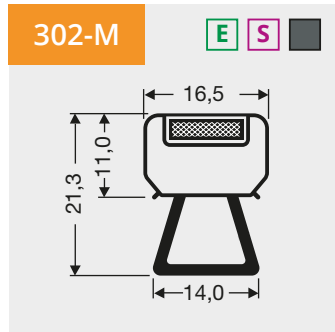
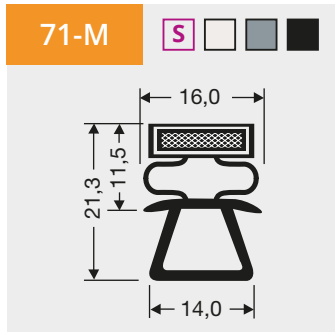


Visit our website for all profiles and quotations

www.dsu-nl.com

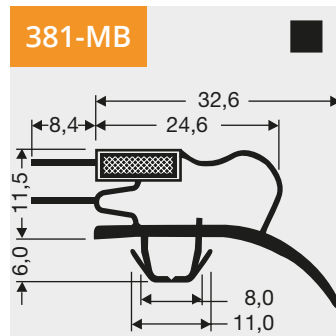
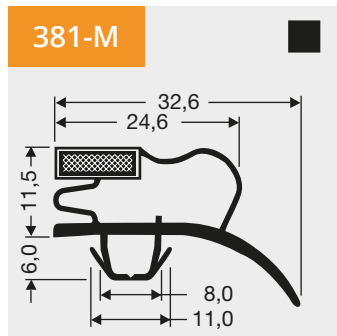
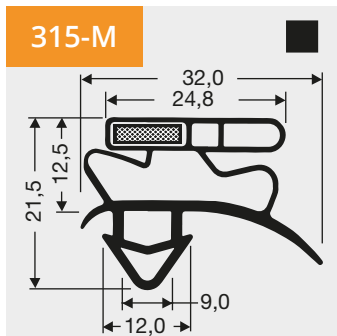
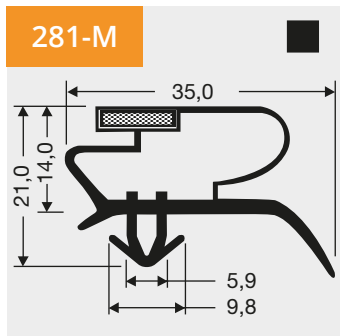
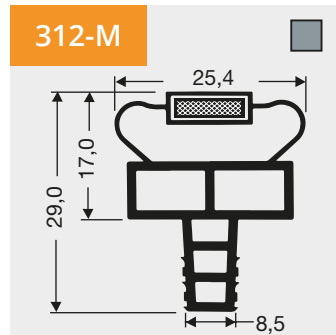
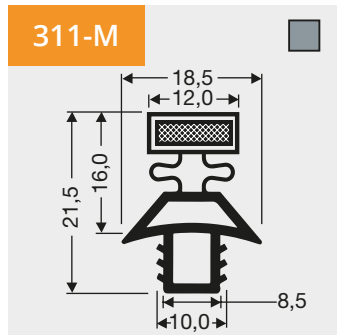
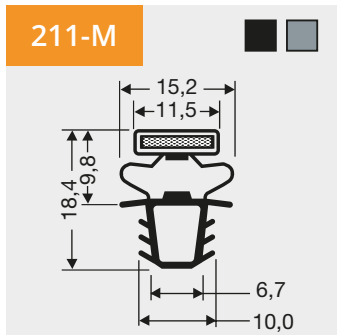
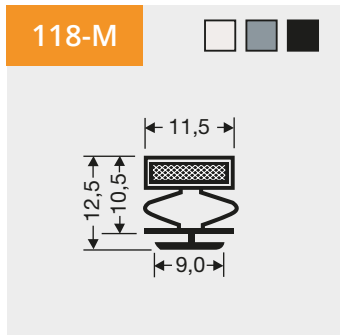
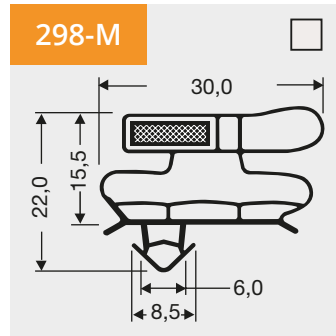
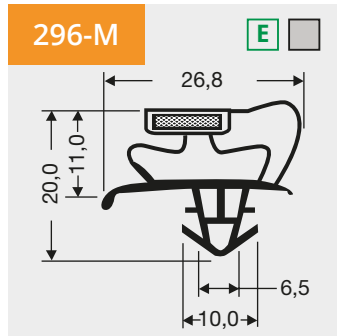
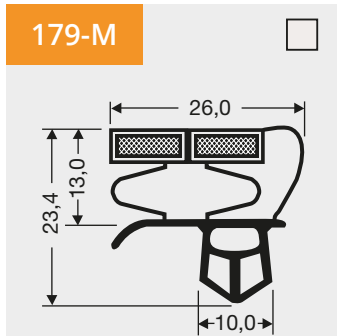
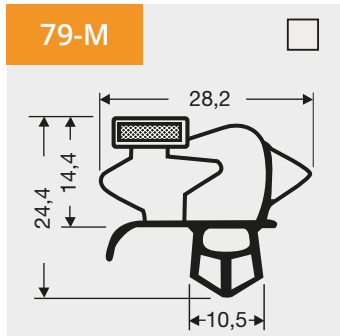
2

Dart profiles, large dart with magnet
Available as frame or profile length.

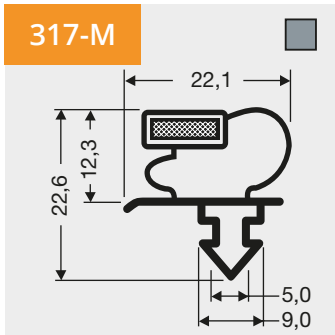
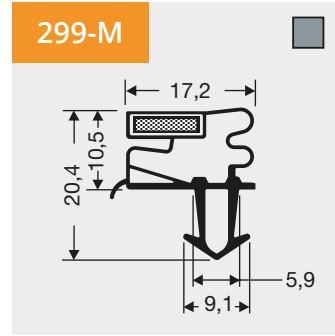
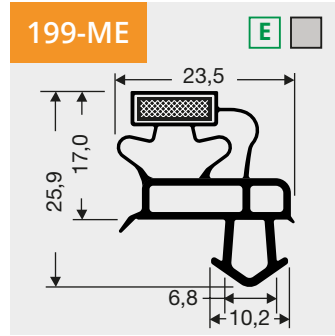
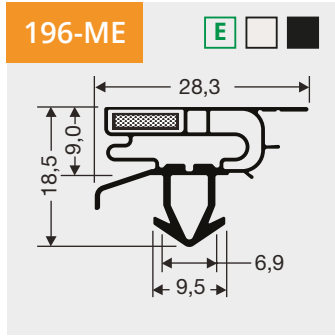
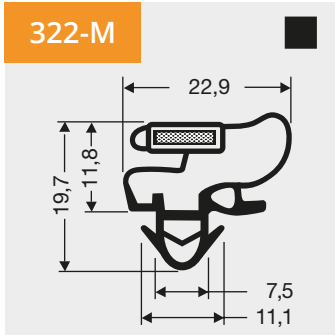


2

Dart profiles, large dart with magnet
Available as frame or profile length.



**Dart profiles, large
dart with magnet**
Available as frame or
profile length.

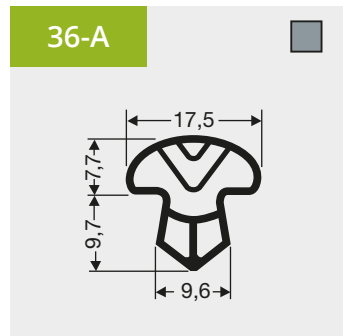
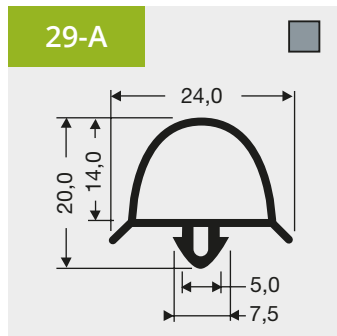
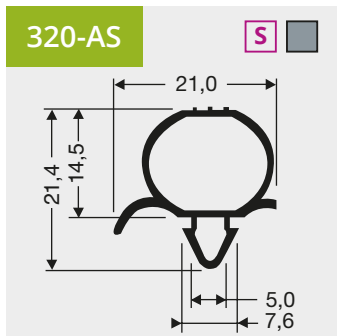
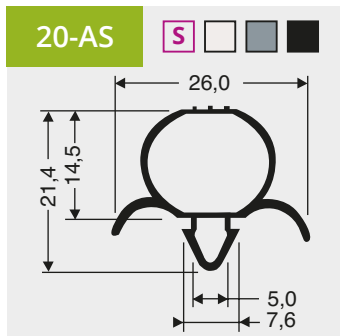
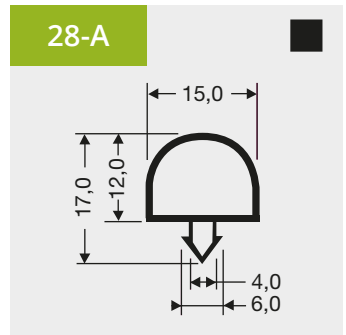
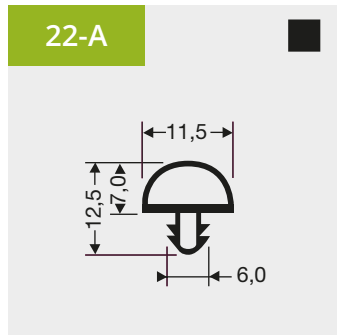
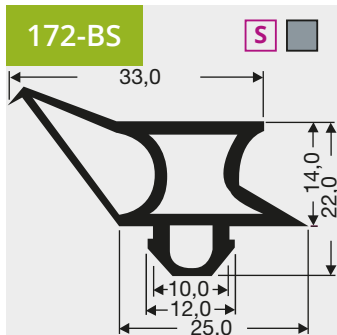
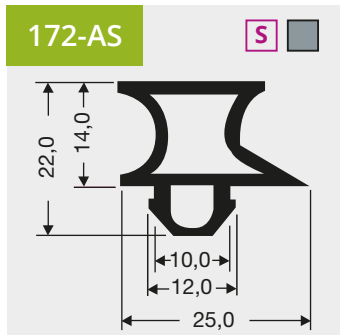
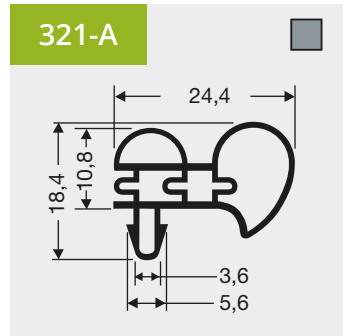
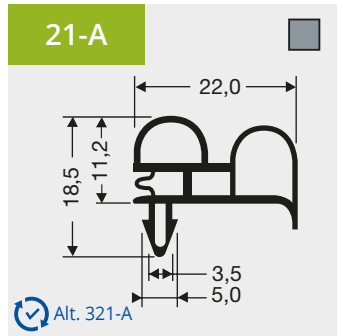
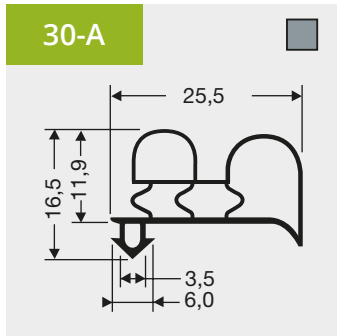
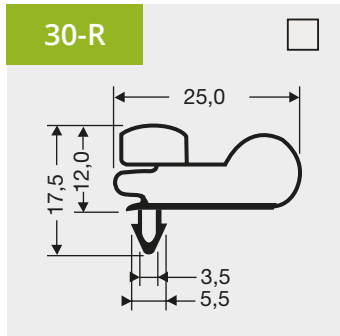


Visit our website for all
profiles and quotations

www.dsu-nl.com

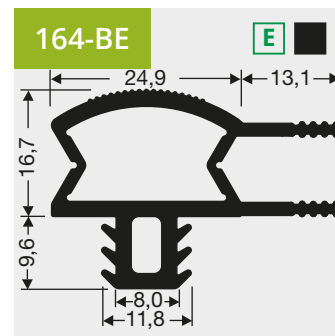
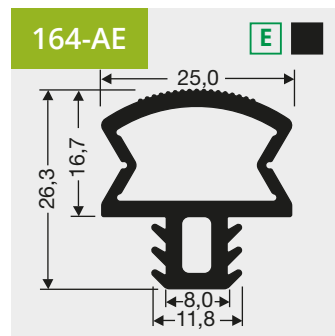
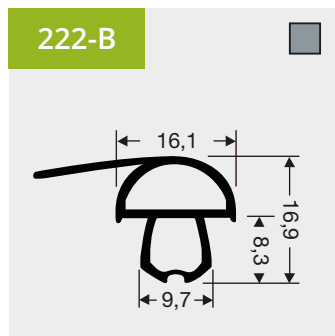
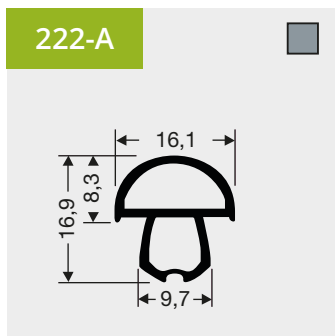
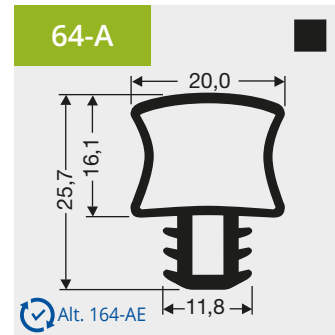
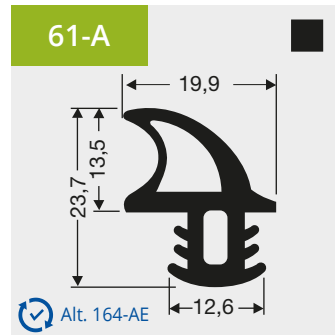
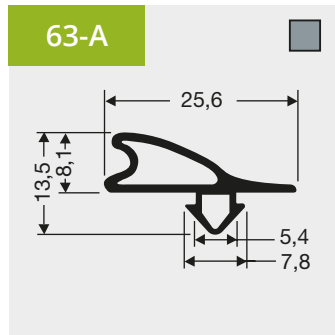
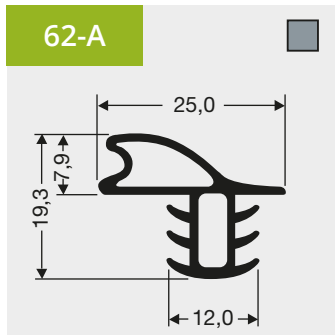
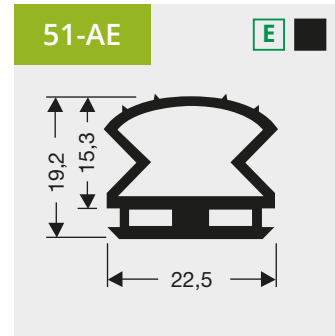
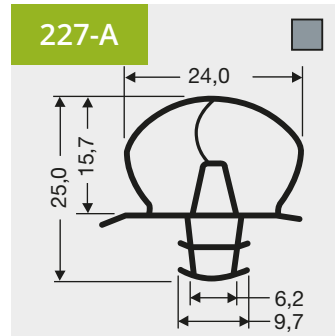
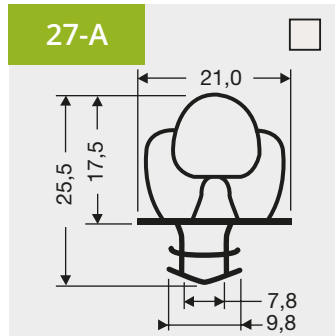
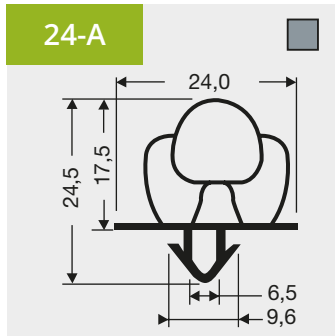
3

Dart profiles without magnet
Available as frame or profile length.



3

Dart profiles without magnet
Available as frame or profile length.

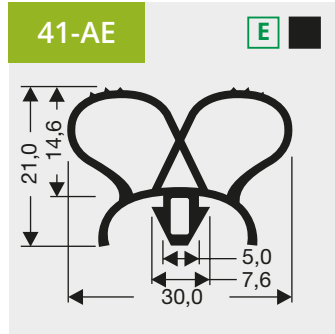
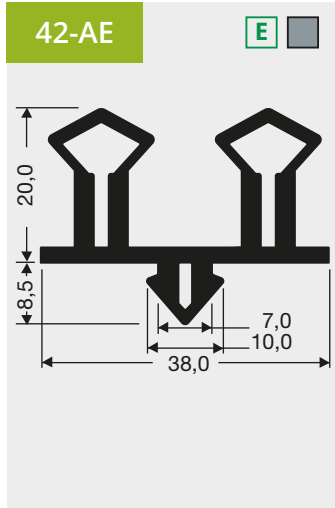




3

**Dart profiles
without magnet**

Available as frame or
profile length.



Visit our website for all
profiles and quotations

www.dsu-nl.com



How to take the dart-to-dart measurements (C size)

Remove the seal from the track to take the dart-to-dart measurements.

Measure from the inside edge of the slot on one side to the outside of the slot on the other side.

**Scan QR-code for
instructionvideo**

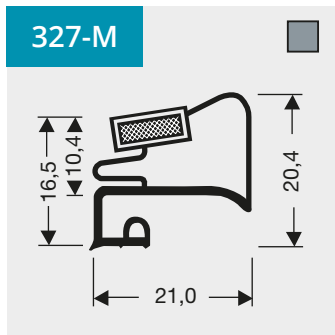
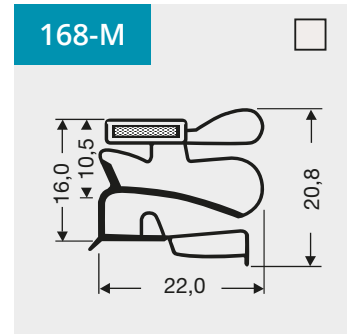
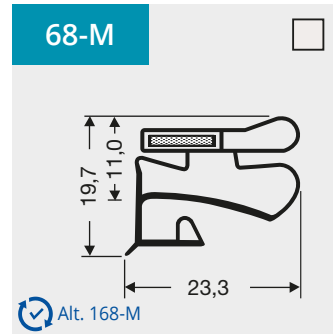
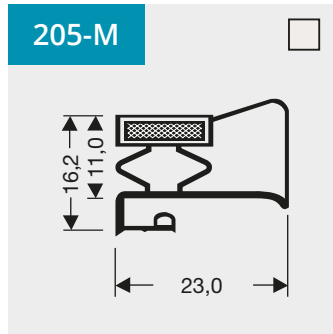
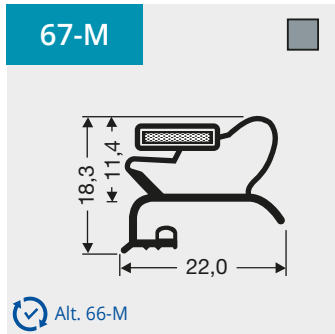
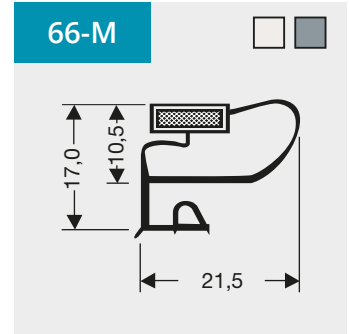
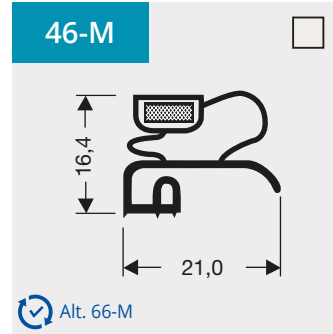
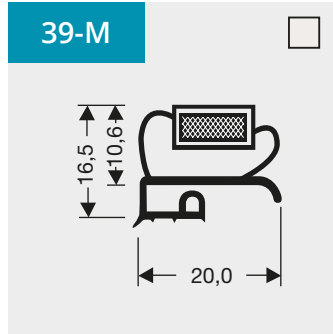
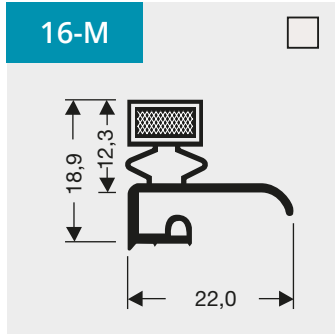




4

Lip profiles with magnet

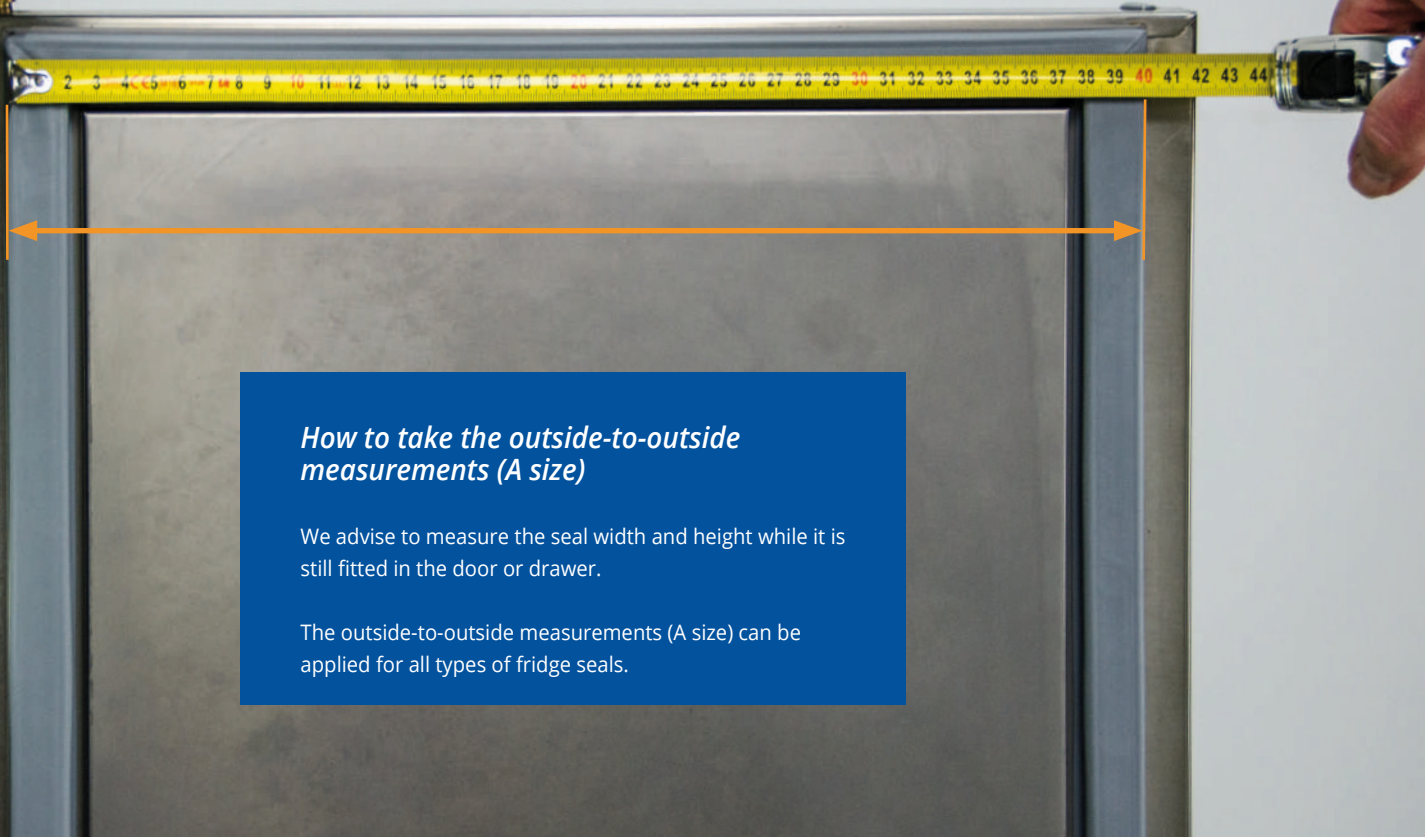
Available as frame or profile length.



Visit our website for all profiles and quotations

www.dsu-nl.com

Scan QR-code for
instructionvideo



How to take the outside-to-outside measurements (A size)

We advise to measure the seal width and height while it is still fitted in the door or drawer.

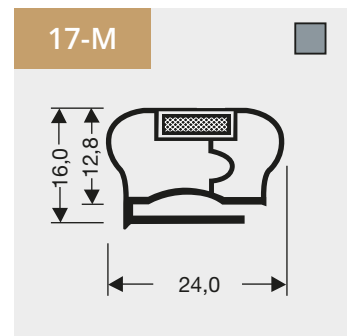
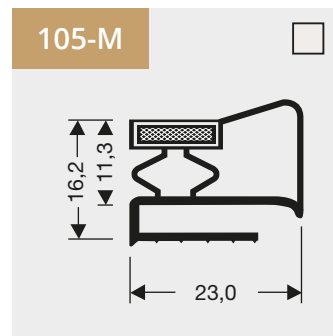
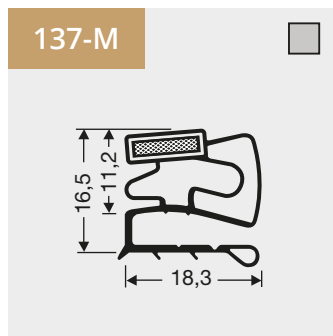
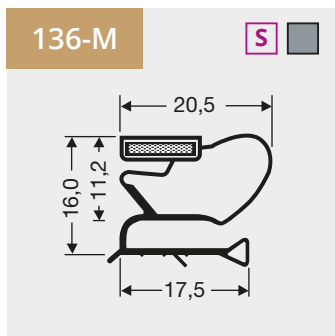
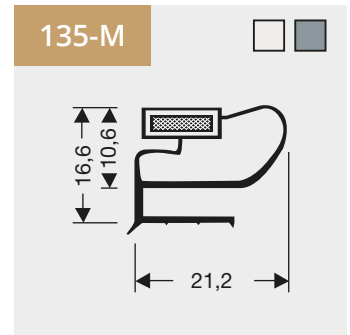
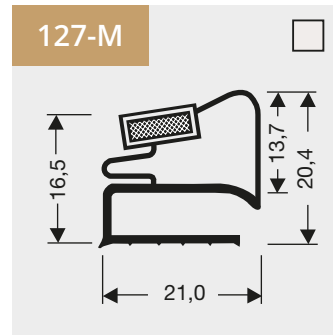
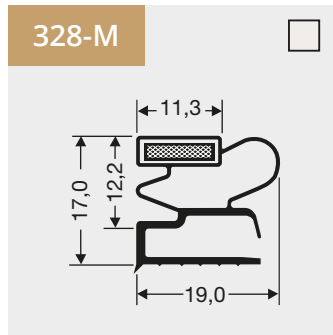
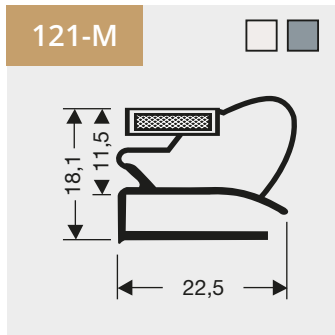
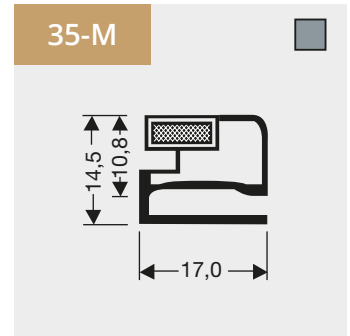
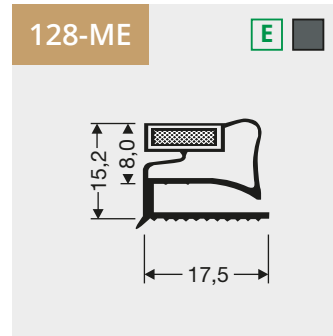
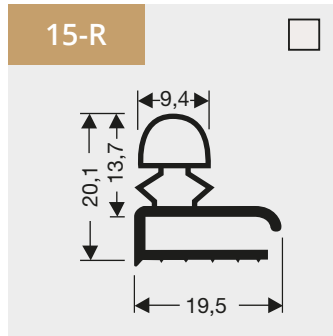
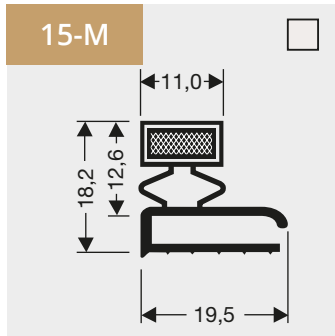
The outside-to-outside measurements (A size) can be applied for all types of fridge seals.



5

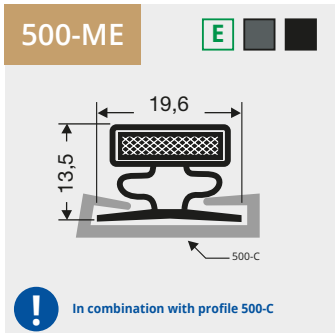
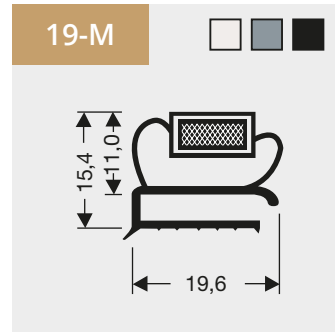
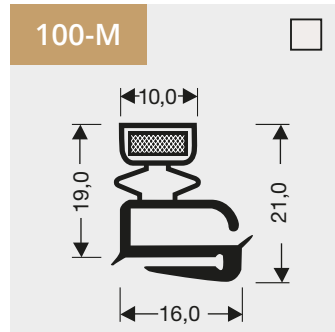
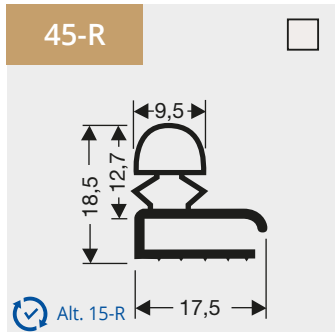
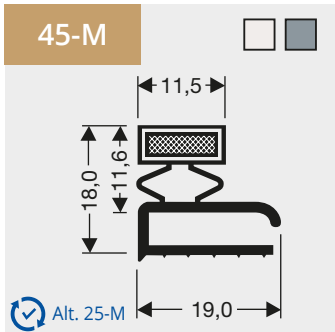
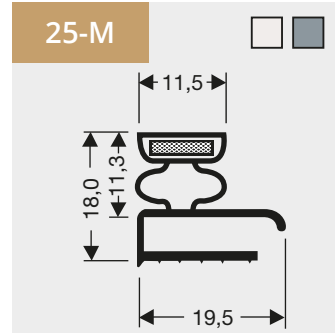
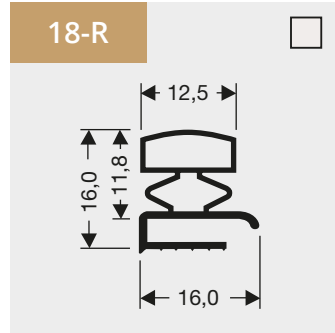
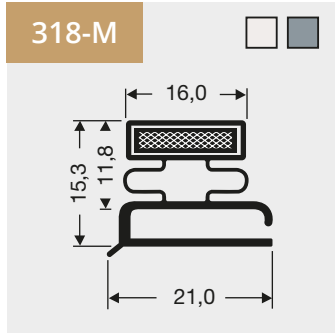
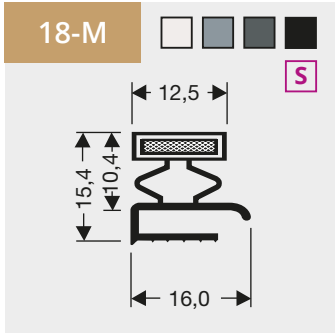
Flap profiles with magnet

Available as frame or profile length.



Flap profiles with magnet

Available as frame or profile length.



Visit our website for all profiles and quotations

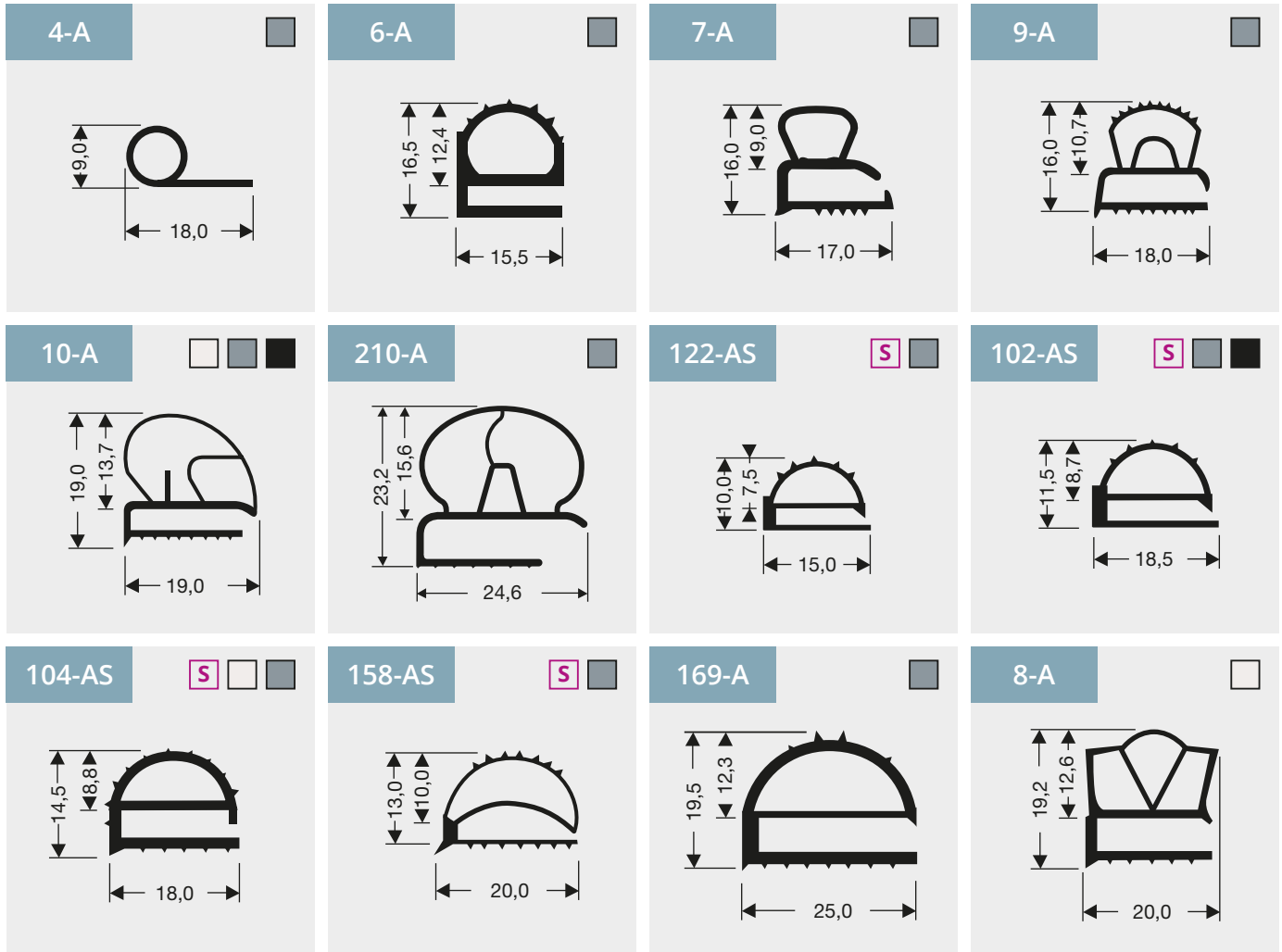
www.dsu-nl.com



6

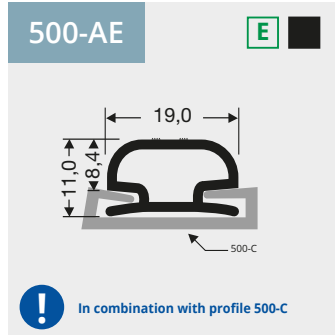
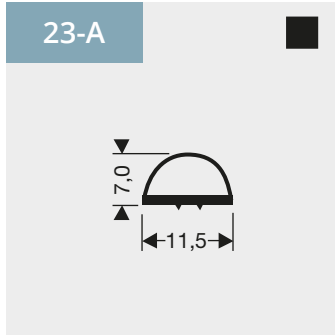
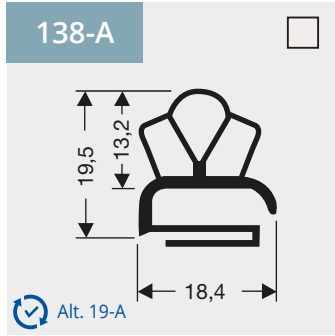
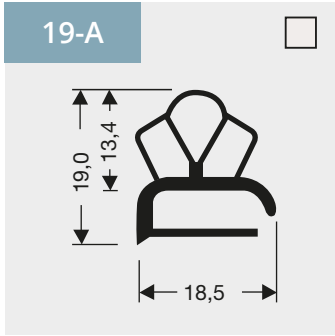
Compression profiles without magnet

Available as frame or profile length.



6

**Compression profiles
without magnet**
Available as frame or
profile length.



Visit our website for all
profiles and quotations

www.dsu-nl.com

Profiles which can be counter-welded

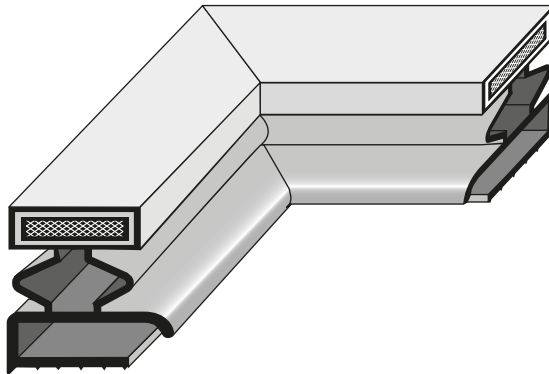
! *Attention: Check carefully if you are dealing with a counter (welded) profile. These are very rarely used.*

Profiles which can be counter-welded

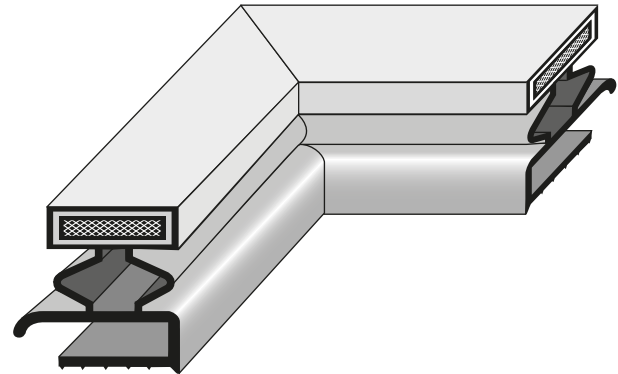
With counter welding, the profile is mirrored horizontally. The flap profiles are open outwards in the counter-welded variant instead of inwards which is standard. The result for dart type profiles is that the magnet which is positioned on the outside of the seal as a standard is then positioned on the inside.

These profiles can be produced counter-welded as a standard. On request, we can investigate for the other profiles in this catalogue to be offered as counter-welded.

Example

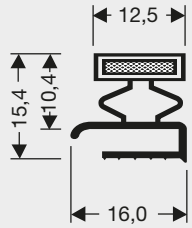


Normal 18-M
Flap open to the inside

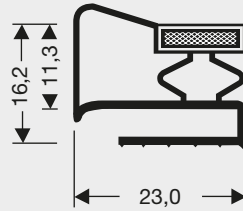


Contra 18-MC
Flap open to the outside

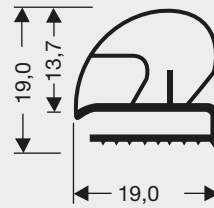
18-MC



105-MC



10-AC



Visit our website for all profiles and quotations

www.dsu-nl.com



7

Profiles which can be counter-welded



Information on available material compositions

Information on available material compositions

Besides the standard profiles made of PVC, DSU also offers profiles in a different material composition. Each material has specific properties with regard to temperature range, ease of installation and service life.

	Standard Profiles	Soft Profiles	Extended Life Profiles
Material	PVC	Soft PVC	TPE
Profile code	-M, -A (195-M)	-MS, -AS (195-MS) S	-ME, -AE (195-ME) E
Temperature range	-5 °C to +40 °C	-20 °C to +40 °C	-40 °C to +130 °C
Installation	●●●○○	●●●●○	●●●●●
Life span	●●○○○	●●●○○	●●●●●

Temperature range

The choice of material is partly determined by the temperature range of the application. The flexibility of a standard profile decreases rapidly as the temperature decreases. Profiles based on soft PVC or TPE are more flexible than standard PVC, even at low temperatures. The degree of flexibility of the material used also affects the service life. A brittle non-flexible seal is more likely to crack. In freezers, a heater tape is often installed so that the seal does not freeze and remains flexible and thus has a longer lifespan.

Installation


The degree of flexibility of the material is related to how easily and quickly seals can be installed on a door or drawer. When fitting seals made of PVC, it is often necessary to heat them to remove folds and creases caused by storage and transport.

The highly flexible seals made of TPE deform to a lesser extent during transport and are quicker and easier to fit.




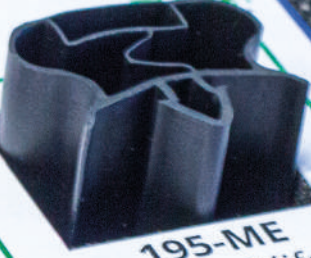

Life span


Maintaining seals is important from a hygiene point of view but certainly also for optimal life span. The effects of dirt, grease and/or (aggressive) cleaning agents cause seals made of PVC to dry out more quickly and, as a result, crack.

Thanks to the material properties of TPE, Extended Life profiles are less sensitive to the effect of dirt, grease and/or (aggressive) cleaning agents and therefore have a longer lifespan. Seals made of TPE are always the best choice for equipment with a high intensity of use as well as for (blast) freezers, heated cabinets and climate cabinets.

 More info

Material options

 <p>195-M Standard PVC</p>	 <p>195-MS Soft PVC </p>	 <p>195-ME Extended life </p>
--	--	--



Profiles made of Soft PVC

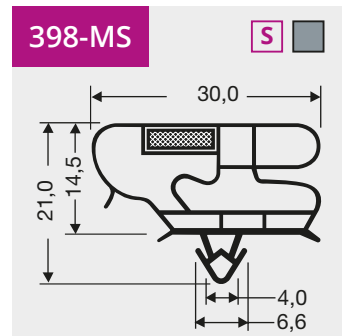
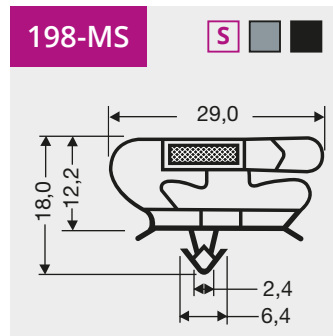
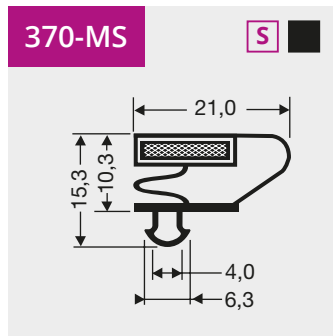
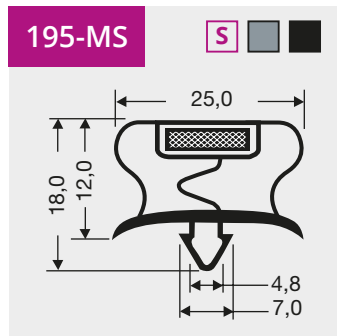
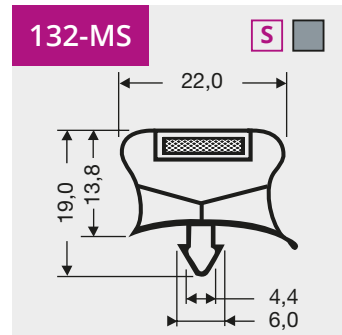
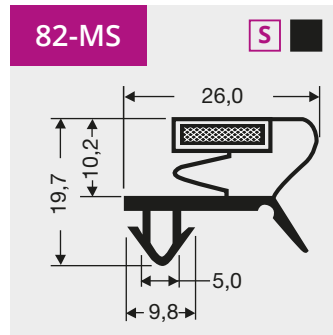
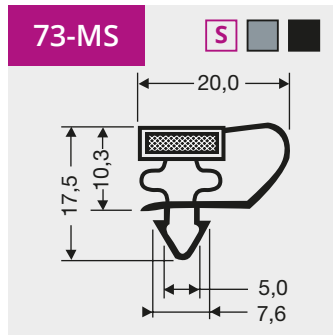
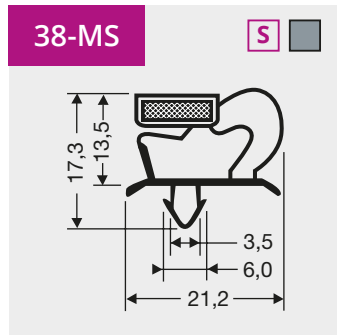
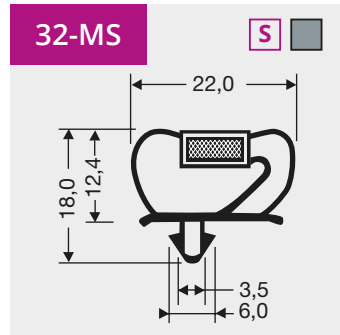
Available as frame or profile length.

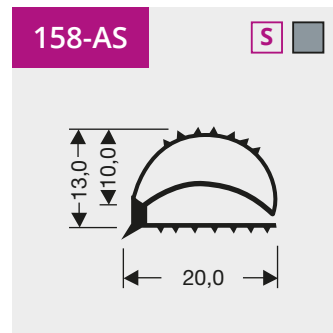
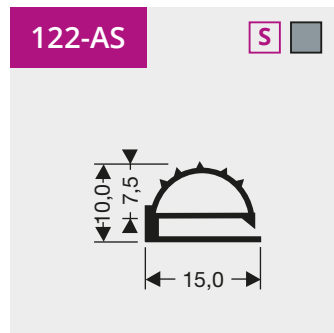
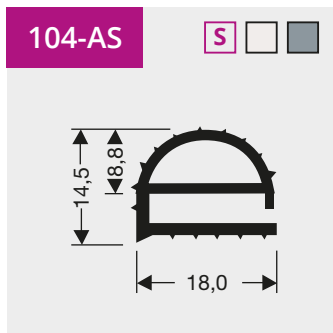
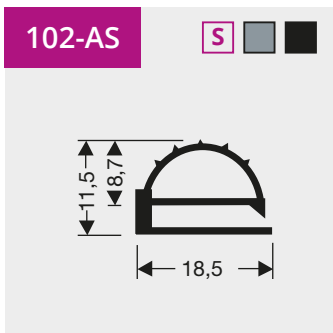
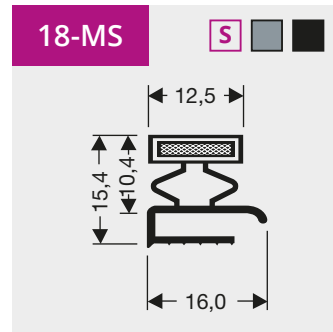
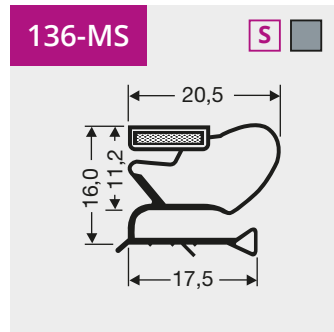
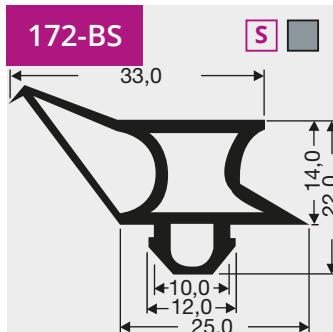
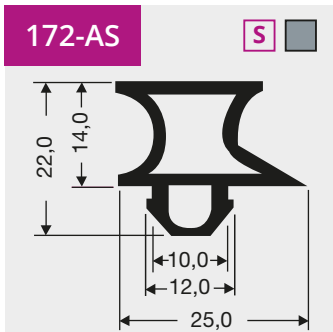
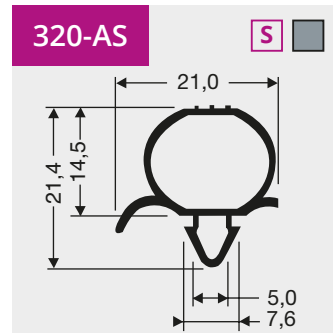
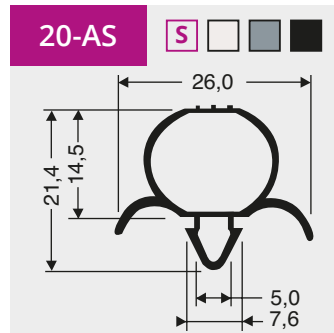
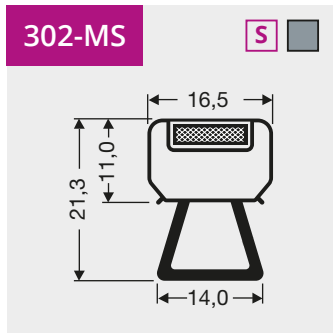
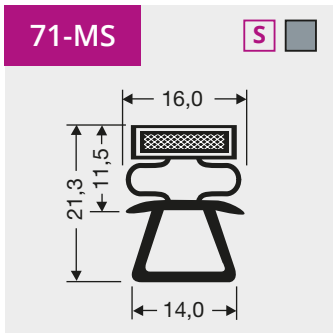
Soft PVC Profiles

Profiles with profile code extension **-MS** or **-AS** are made from **Soft PVC**. Seals made from Soft PVC have a number of advantages over standard PVC profiles of which the most important are:

- More flexible material and therefore easier to install
- Less prone to folding and creasing, as a result of storage and transport
- Temperature range of **-20°C to 40°C**

Soft PVC seals are suitable for use in blast freezers, freezer cell doors and for high-use equipment. The best choice for previous applications are our Extended Life profiles based on TPE (see page 36).





Profiles made of TPE (Extended Life Seal)

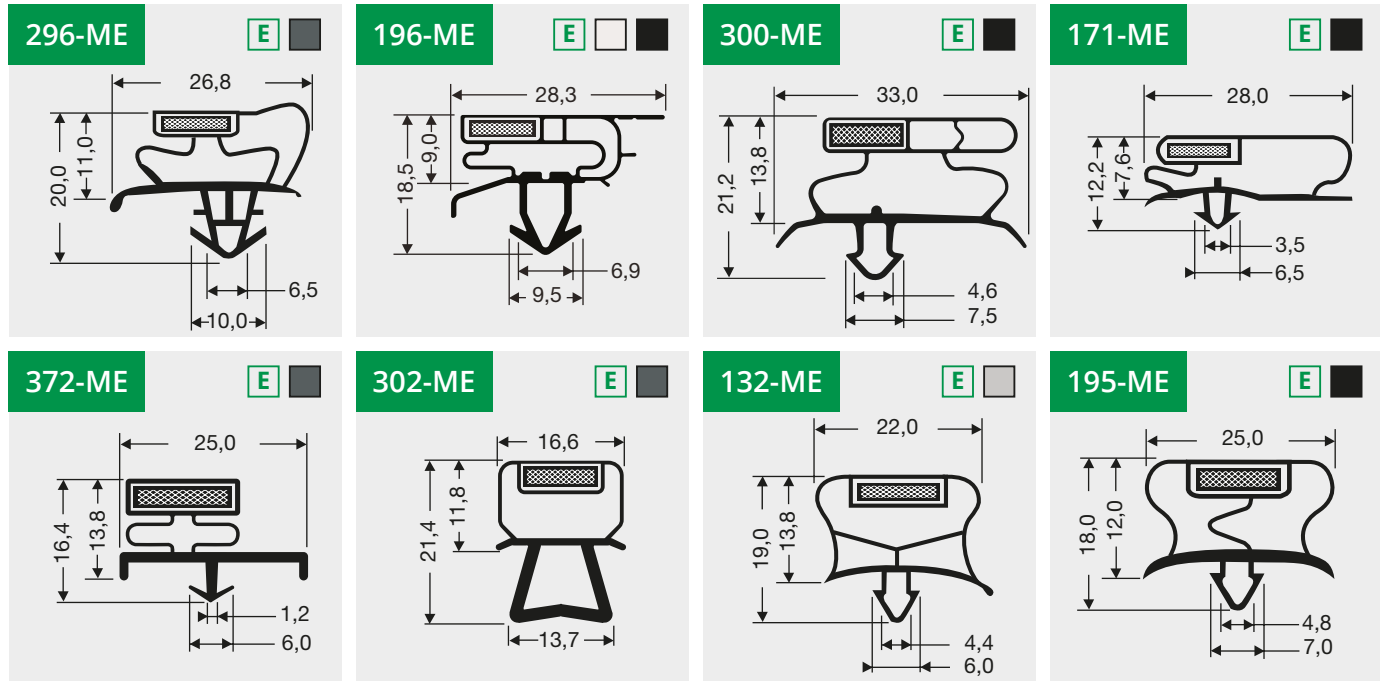
Available as frame or profile length.

Extended Life Profiles

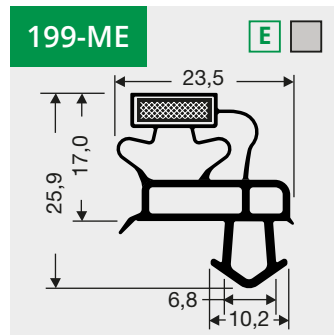
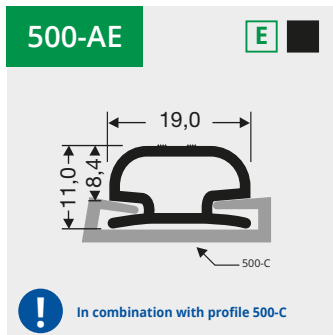
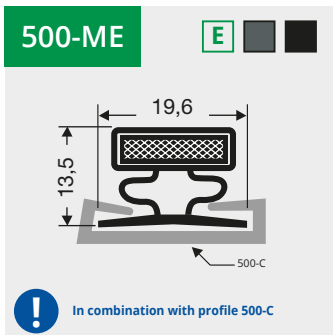
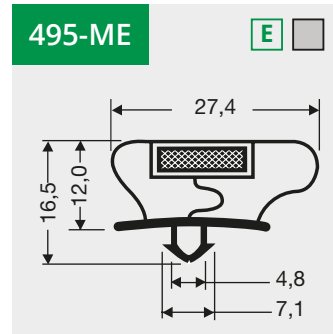
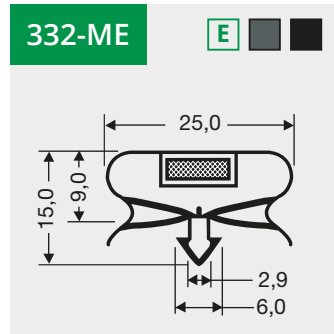
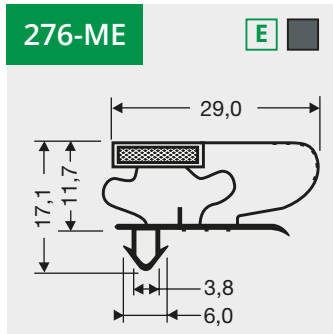
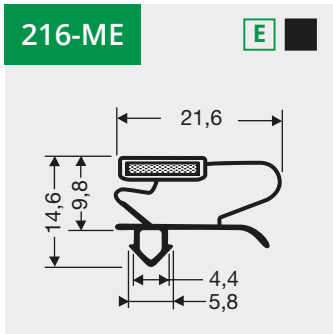
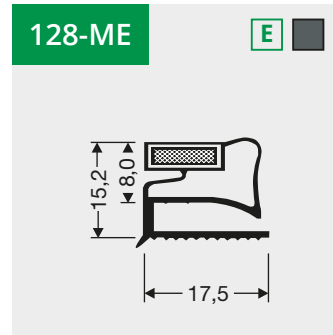
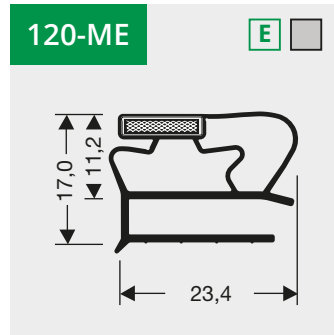
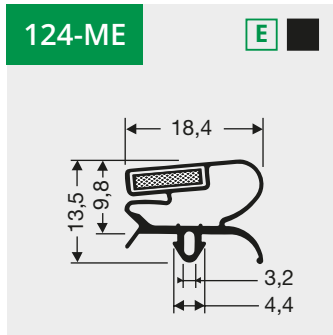
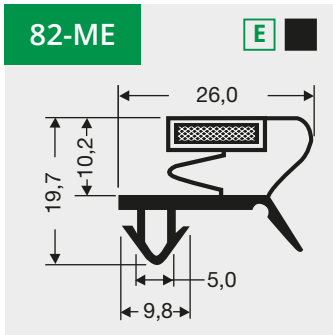
Profiles with profile code extension **-ME** or **-AE** are made from thermoplastic rubber or **Thermo Plastic Elastomer (TPE)**. Seals made of this type of plastic have a number of advantages over PVC, the most important of which are:

- Longer service life
- Temperature range of **-40°C to 130°C**
- Flexible material and therefore easier to install
- Less susceptible to drying out and/or degradation by grease
- Less susceptible to aggressive cleaning agents including disinfectants

Extended Life profiles are the best choice for application in doors and drawers of equipment that is used intensively but also for application in (blast) freezers, freezer doors, freezer cabinets, climate cabinets and in kitchens where restrictions on the use of water-based cleaning agents are in force.



**Profiles made of TPE
(Extended Life Seal)**
Available as frame or
profile length.

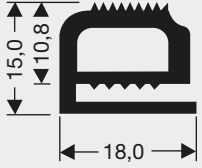
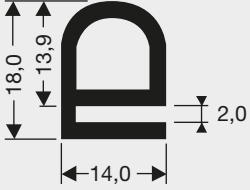
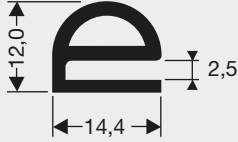
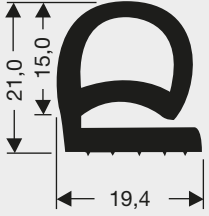
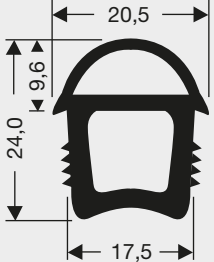
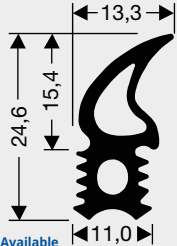
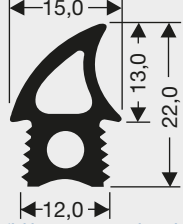
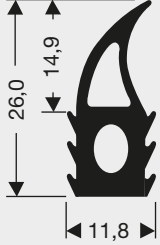
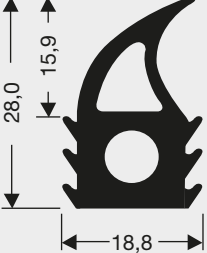
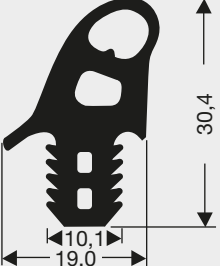
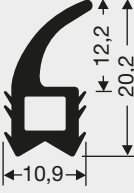
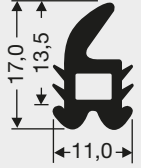


Visit our website for all
profiles and quotations

www.dsu-nl.com

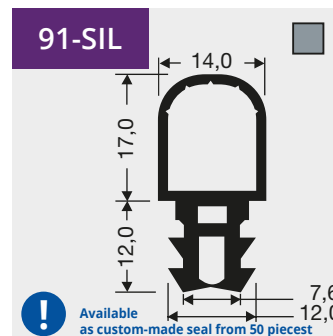
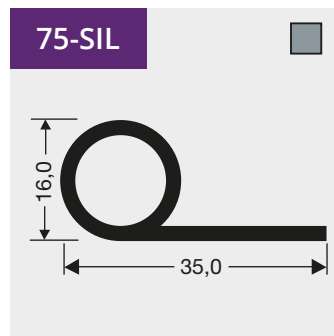
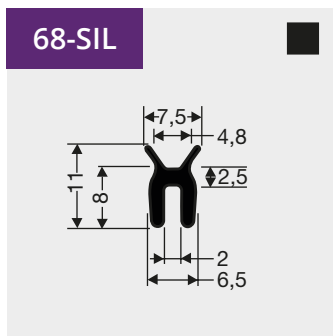
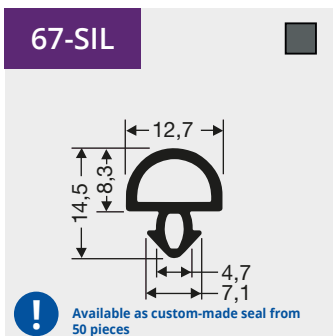
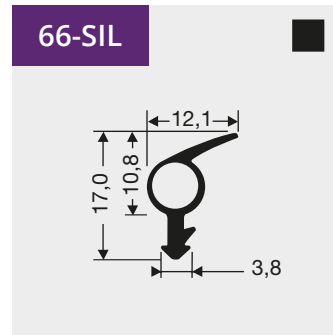
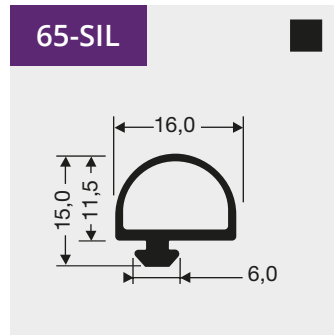
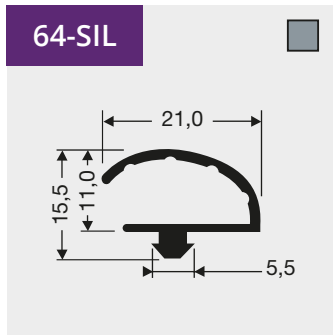
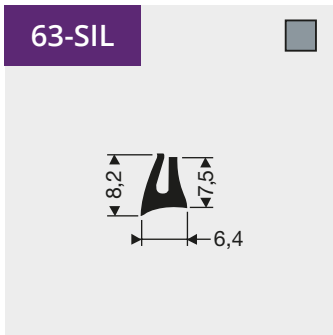
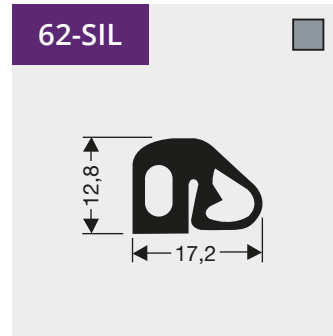
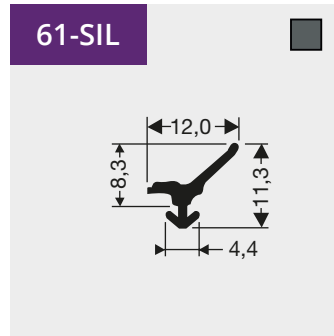
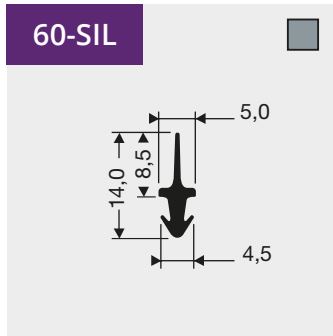
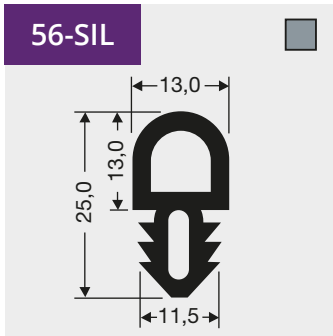
10

Silicone profiles
Available on a coil or by the meter.

<p>41-SIL ■</p> 	<p>42-SIL □</p> 	<p>43-SIL ■</p> 	<p>44-SIL □</p> 
<p>45-SIL □</p> 	<p>49-SIL ■</p>  <p>! Available as custom-made seal from 50 pieces</p>	<p>50-SIL □</p>  <p>! Available as custom-made seal from 50 pieces</p>	<p>51-SIL □</p> 
<p>52-SIL □</p> 	<p>53-SIL □</p> 	<p>54-SIL □</p> 	<p>55-SIL ■</p> 

10


Silicone profiles
Available on a coil or
by the meter.

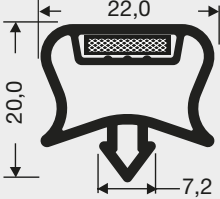





10

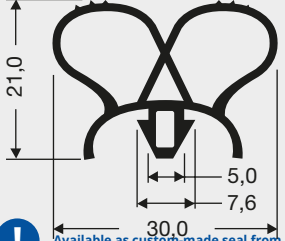
Silicone profiles
Available on a coil or
by the meter.

99-SIL 



! Silicone profile with magnetic strip
Available as custom-made seal from
50 pieces

141-SIL 




! Available as custom-made seal from
50 pieces


501-SIL 





adhesive tape

! Available as custom-made seal from
50 pieces

0815-SIL 

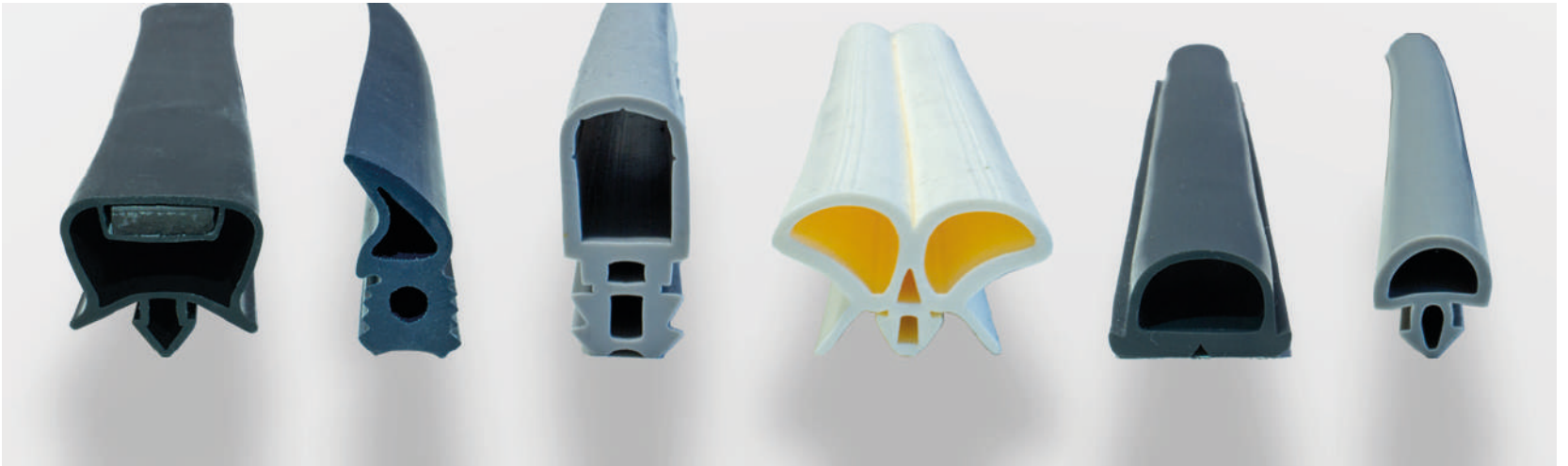
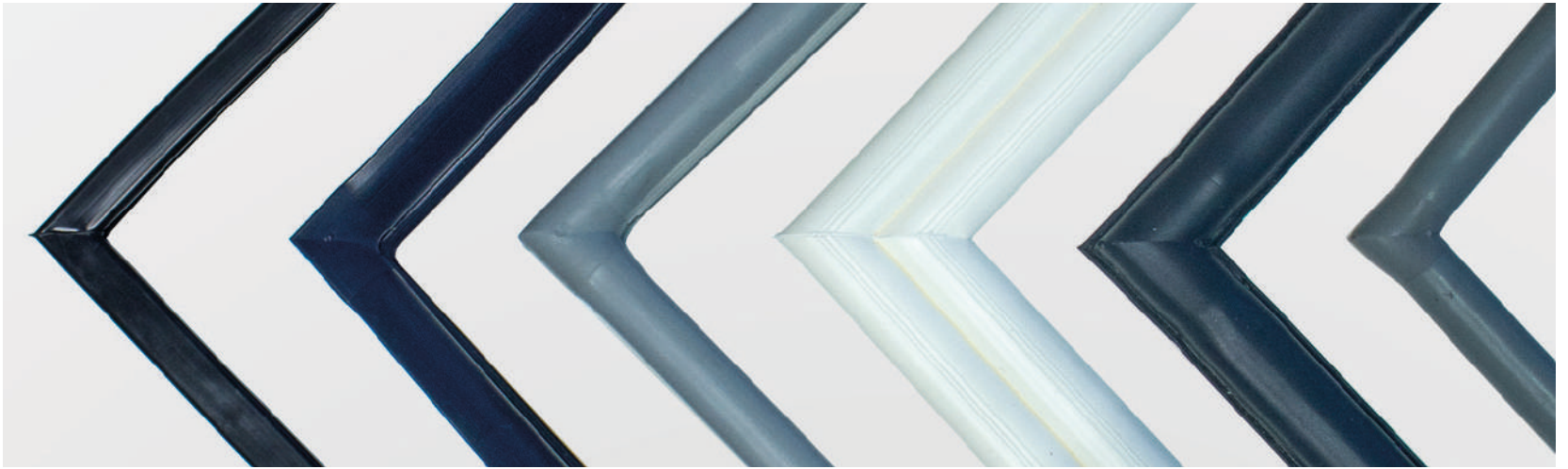


1015-SIL 



Visit our website for all
profiles and quotations

www.dsu-nl.com

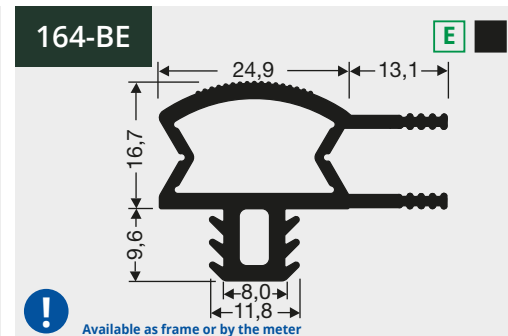
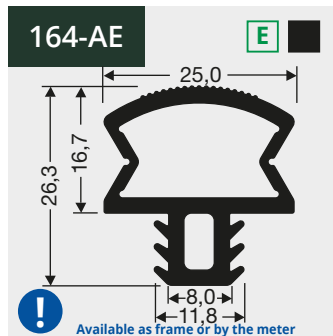
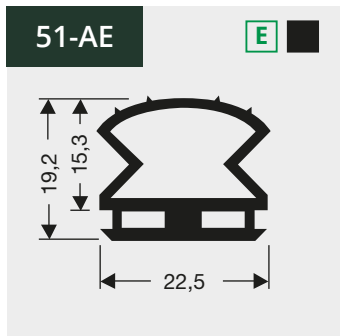
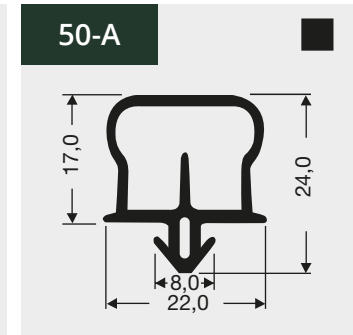
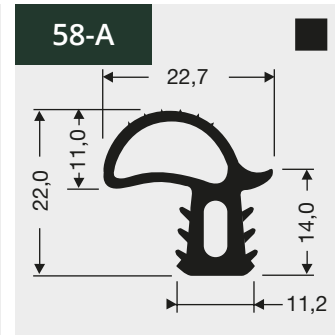
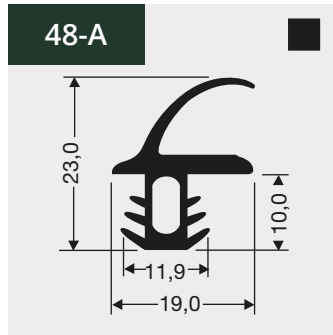
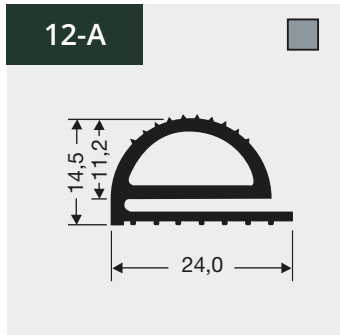
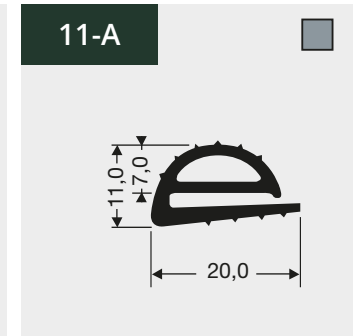
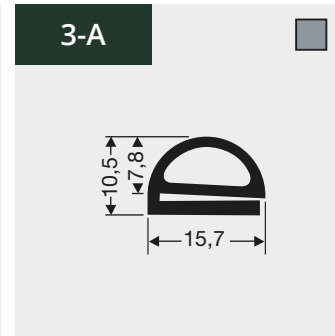
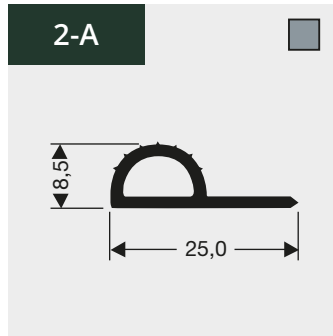
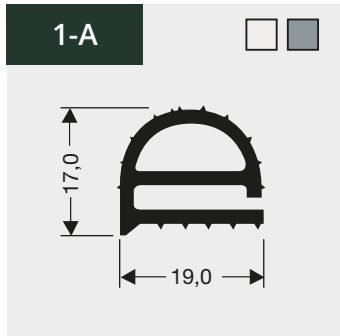


Silicone profiles Available as custom-made seal from 50 pieces



11

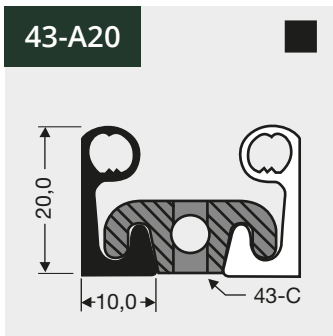
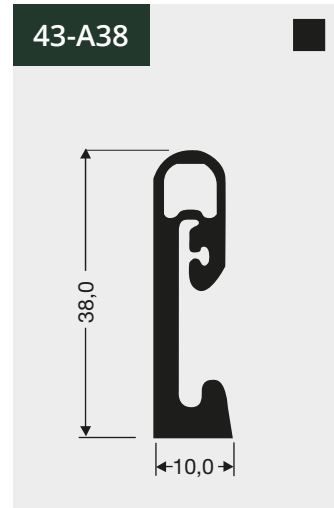
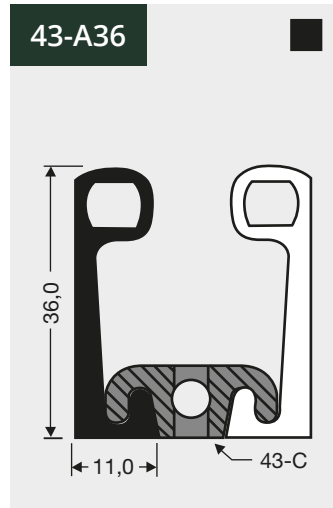
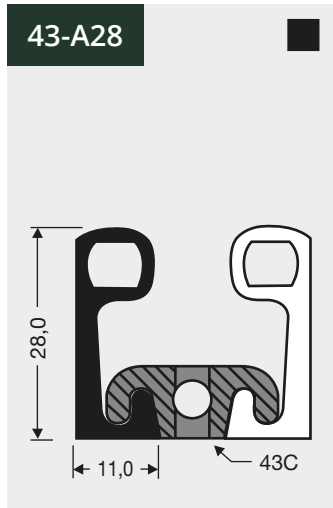
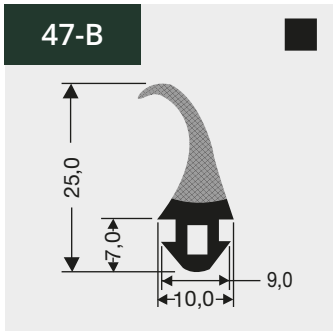
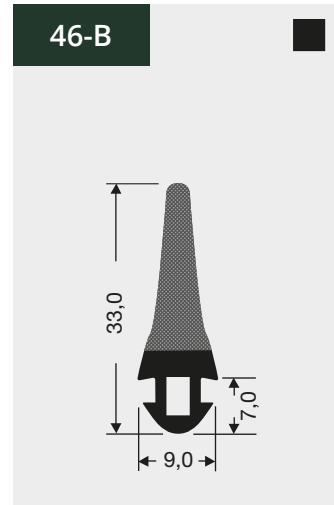
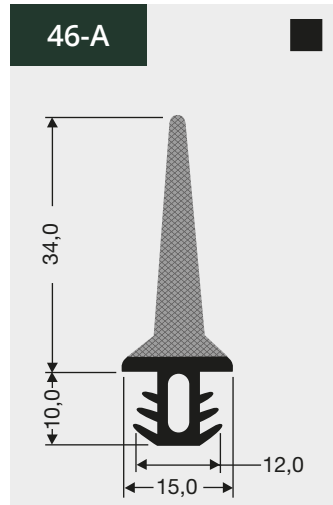
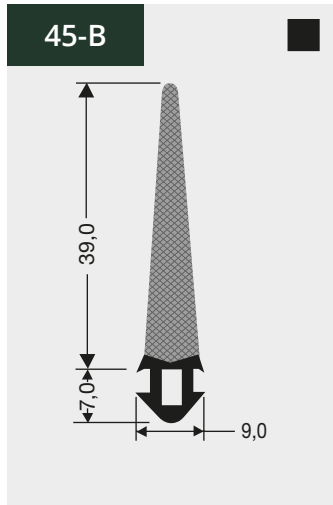
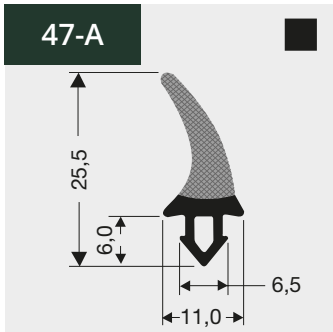
Rubber profiles
Available on a coil or
by the meter.



Copyright 2024 DSU BV
September 2024

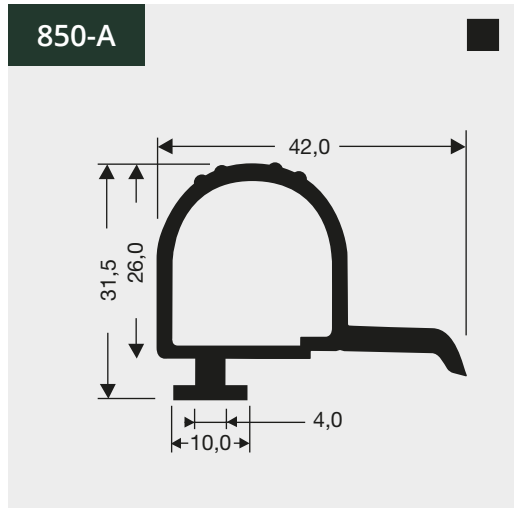
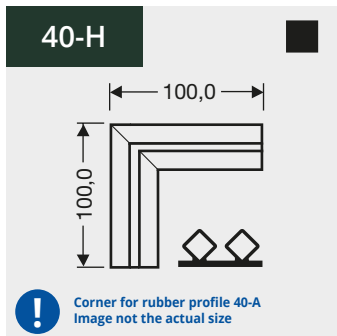
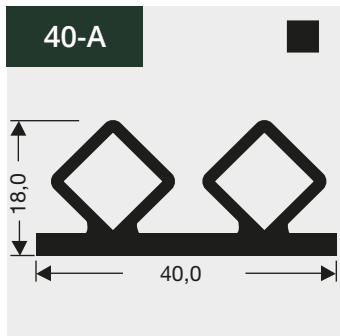
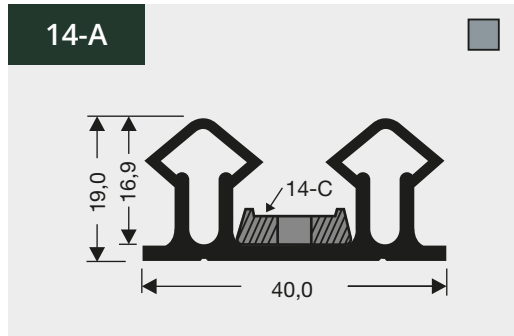
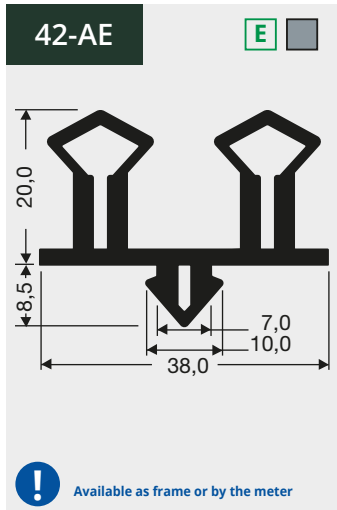
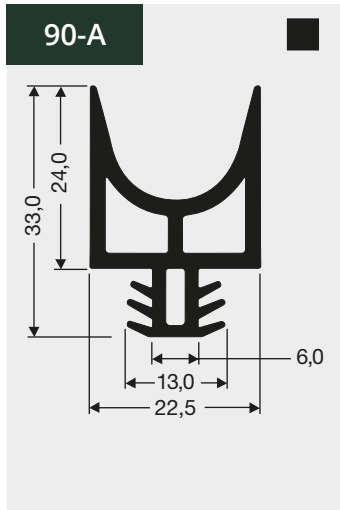
11

Rubber profiles
Available on a coil or
by the meter.



11

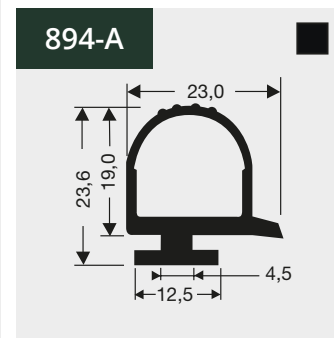
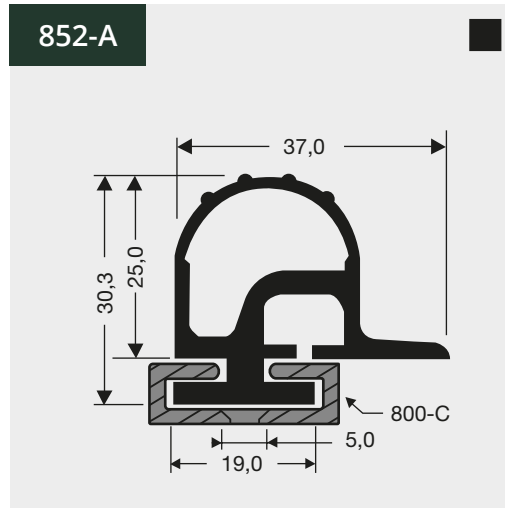
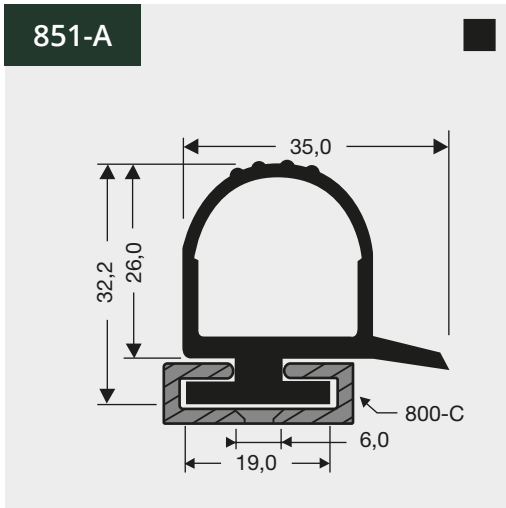
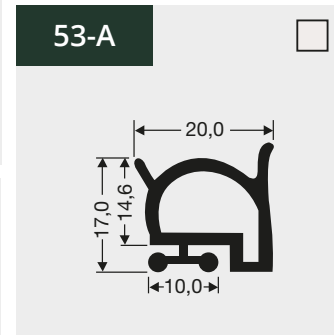
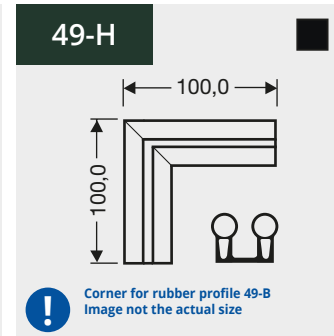
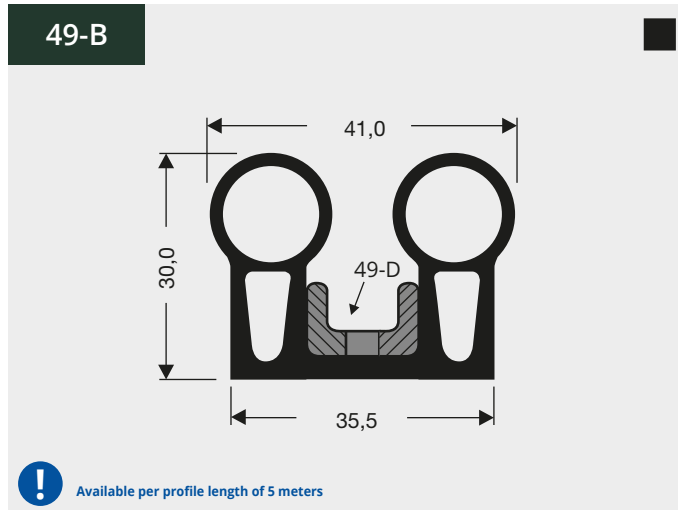
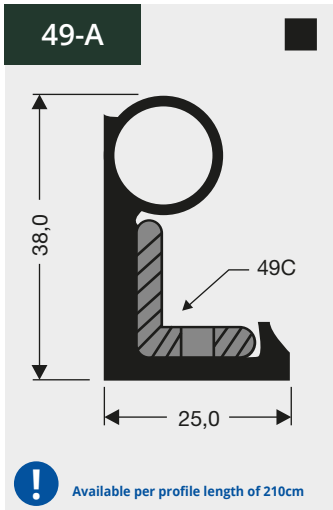
Rubber profiles
Available on a coil or by the meter.



11

Rubber profiles

Available on a coil or by the meter.




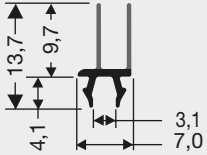


11


Rubber profiles

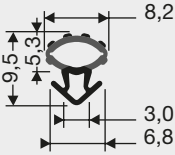
Available on a coil or by the meter.

701-A 





! Available per profile length of 1 m
Applied as a sliding lid seal

702-A 




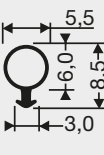
! Applied as a sliding lid guide

703-A 




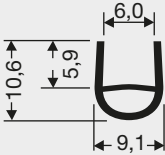
! Applied as a sliding lid damper

704-A 




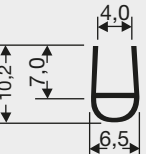
! Applied as a sliding lid damper

721-A 





! Applied as a sliding lid damper

722-A 




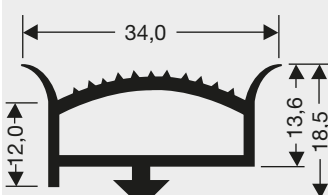
! Applied as a sliding lid damper

57-B 




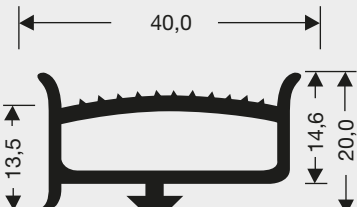
! Applied as a sliding lid damper

893-A 





! Applied as a sliding lid damper

854-A 



! Applied as a sliding lid damper

57-A 



! Applied as a sliding lid damper

41-AE E ■

! Available as frame or by the meter

41-H ■

! Corner piece for profile 41-A
 Image not the actual size

52-A ■

53-A □

54-A ■

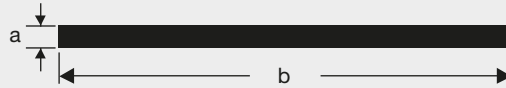
Visit our website for all
 profiles and quotations

www.dsu-nl.com

Rubber sweeper profiles

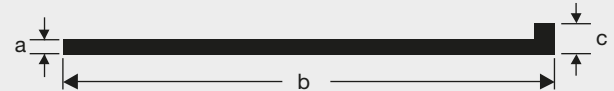
Available on a coil or by the meter.

I-Model



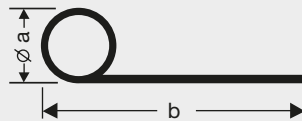
article	a	b
3-60	3 mm	60 mm
3-80	3 mm	80 mm
3-100	3 mm	100 mm
3-150	3 mm	150 mm
3-200	3 mm	200 mm

L-Model



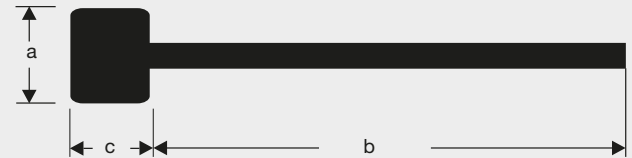
article	a	b	c
L2-41	2 mm	41 mm	4 mm
L2-45	2 mm	45 mm	4 mm
L2-65	2 mm	65 mm	4 mm

P-Model



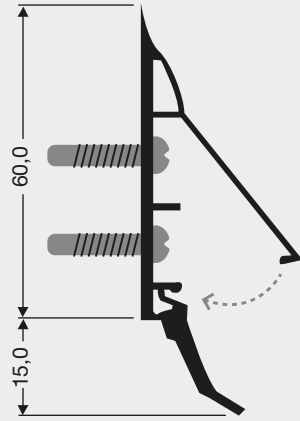
article	a	b
1035	10 mm	35 mm
1735	17 mm	35 mm

T-Model



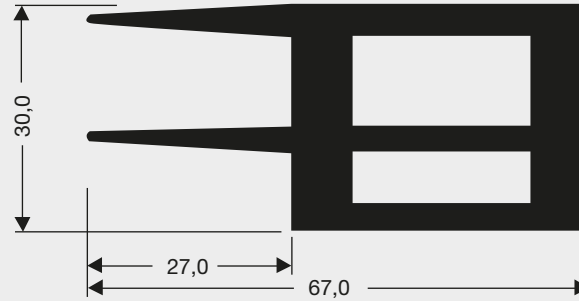
article	a	b	c
T-1246	12 mm	46 mm	6mm
T-1466	14 mm	66 mm	8mm
T-635	6 mm	35 mm	6mm

B-3060-A

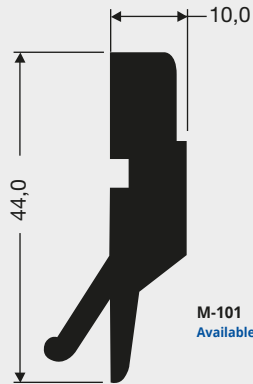


! Retainingstrip for profile 150 cm
Image not the actual size

B-3067



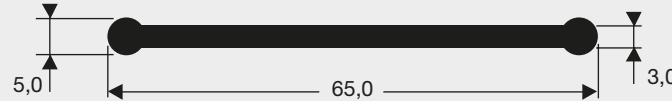
M-101/M-108



M-101
Available per profile length of 101 cm

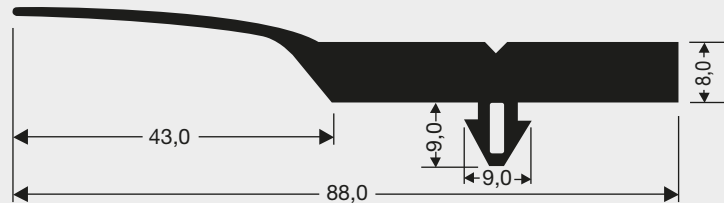
M-108
Available per profile length of 108 cm

H3-65



! Retainingstrip for profile 125 cm
Mount with profile 22-C

IN8-88

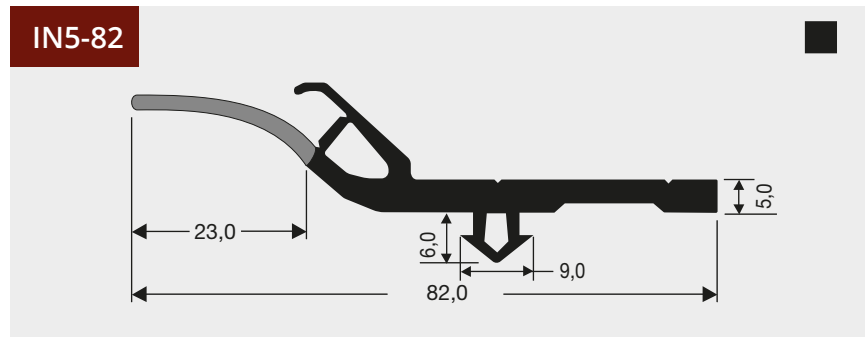
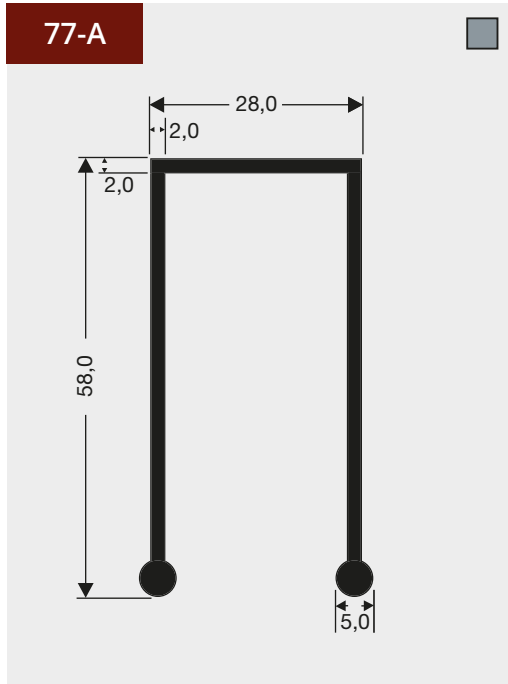
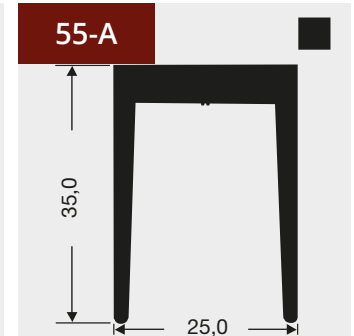
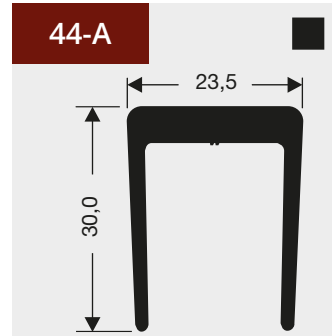
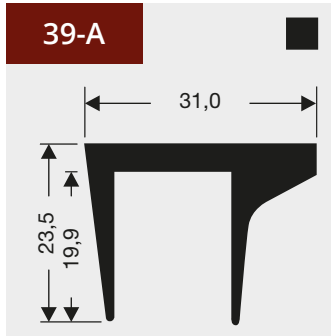
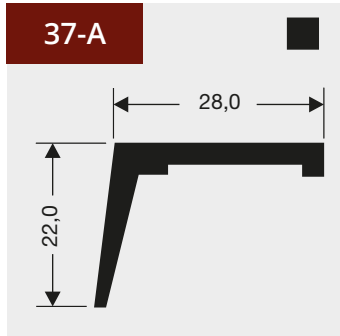





12

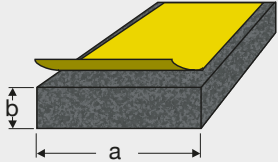
Rubber sweeper profiles

Available on a coil or by the meter.





**EPDM: Neoprene
sponge rubber and
foam profiles**
Available on a coil or
by the meter.


EPDM 






article	a	b
3010	30 mm	10 mm
3015	30 mm	15 mm
4005	40 mm	5 mm
4008	40 mm	8 mm
4010	40 mm	10 mm
4510	45 mm	10 mm
5515	55 mm	15 mm
7515	75 mm	15 mm


 **1 side adhesive**
Available in coils of 5 and 10 meters


109 




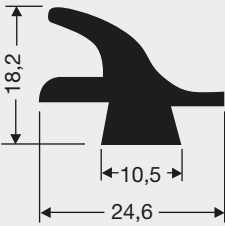
118  




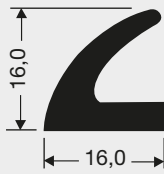
110 




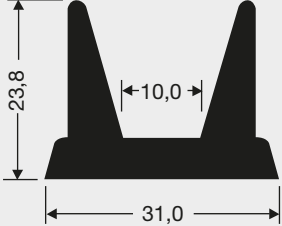
112 



114 



116 




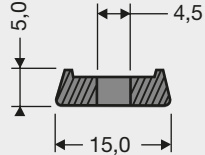
Visit our website for all
profiles and quotations

www.dsu-nl.com


14

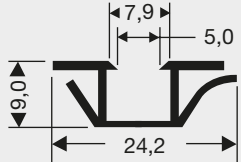
Magnets and Retainingstrips

14-C 





! Retainingstrip for profile 14-A
Available per profile length of 125 cm

20-C 




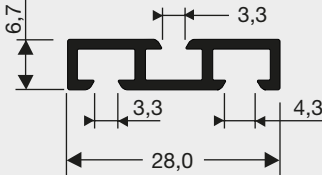
! Retainingstrip for dartprofiles
Available per profile length of 211 cm

22-C 




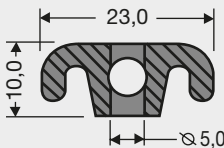
! Retainingstrip for profile H3-65
Available per profile length of 118 cm

26-C 




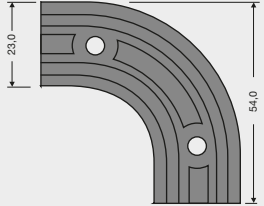
! Retainingstrip for dartprofiles
Available per profile length of 125 cm

43-C 




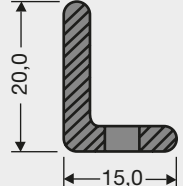
! Retainingstrip for profile 43-A20/28/36
Available per profile length of 125 cm

43-D 




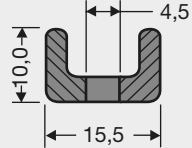
! Retainingstrip for profile 43-A20/28/36
Image not the actual size

49-C 




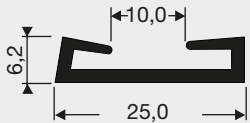
! Retainingstrip for profile 49-A
Available per profile length of 170 cm

49-D 




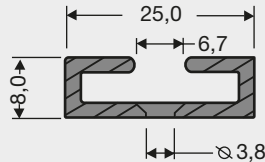
! Retainingstrip for profile 49-B
Available per profile length of 125 cm

500-C 




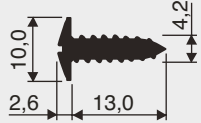
! Retainingstrip for profile 500-AE/500-ME
Available per profile length of 200 cm

800-C 



! Retainingstrip for profile 851-A/852-A
Available per profile length of 200 cm

S-4x13 



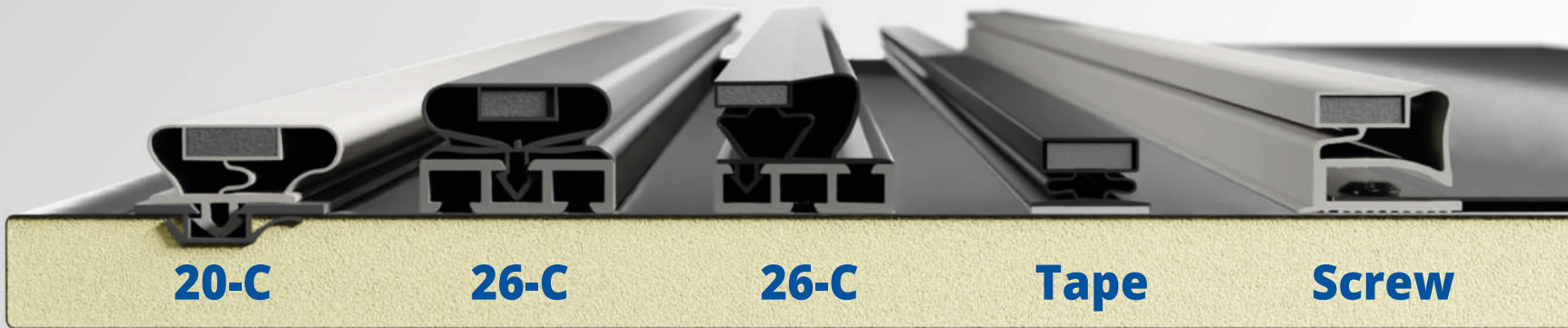
! Bag with 20 screws for installing flap profiles

Visit our website for all profiles and quotations

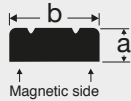
www.dsu-nl.com



Scan the QR for more information about the different methods for installing seals



Magnets



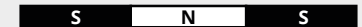
Article	b mm	a mm	Polarity	Power g/cm
M-76	8,0	3,0	sns	31
C-76	8,0	3,0	nsn	31
M-25	8,9	2,7	sns	34
C-25	8,9	2,7	nsn	34
B-25	9,4	2,5	ns	34
M-15	8,0	3,5	sns	32
M-65	8,0	2,0	sns	28
M-66	9,0	2,0	sns	30
C-79	9,0	2,0	nsn	32
M-18	10,7	2,5	sns	38
C-18	10,7	2,5	nsn	38
B-18	10,7	2,5	ns	39
M-71	11,8	3,0	sns	42
C-71	11,8	3,0	nsn	42
B-72	12,0	3,4	ns	50
M-72	15,3	3,3	sns	51

Extra strong magnets				
MS-18	10,7	2,5	sns	55
MS-20	9,6	2,7	sns	56
MS-25	8,9	2,7	sns	47
MS-71	11,8	3,0	sns	52
CS-20	9,6	2,7	nsn	56



An extra strong magnetic strip provides a 25 - 45% higher force of attraction compared to a regular magnetic strip. Often used in refrigeration where doors or drawers spring open too easily when closing and for refrigeration equipment in moving vehicles. If an extra strong magnet is available, this option is shown in the seal configurator on the website.

Normal magnet (M)



Contra magnet (C)



Bi-polar magnet (B)



South connects only to North, North connects only to South



Functioning of a magnetic strip in a refrigerator seal/gasket

DSU is using more than 20 different magnetic strips in the production of refrigerator gaskets. The magnetic strips are without exception a combination of north and south poles magnet.

M - magnet

Magnet with the letter M is a magnetic strip with the combination South-North-South, this is the most commonly used magnetic strip for refrigerator gaskets.

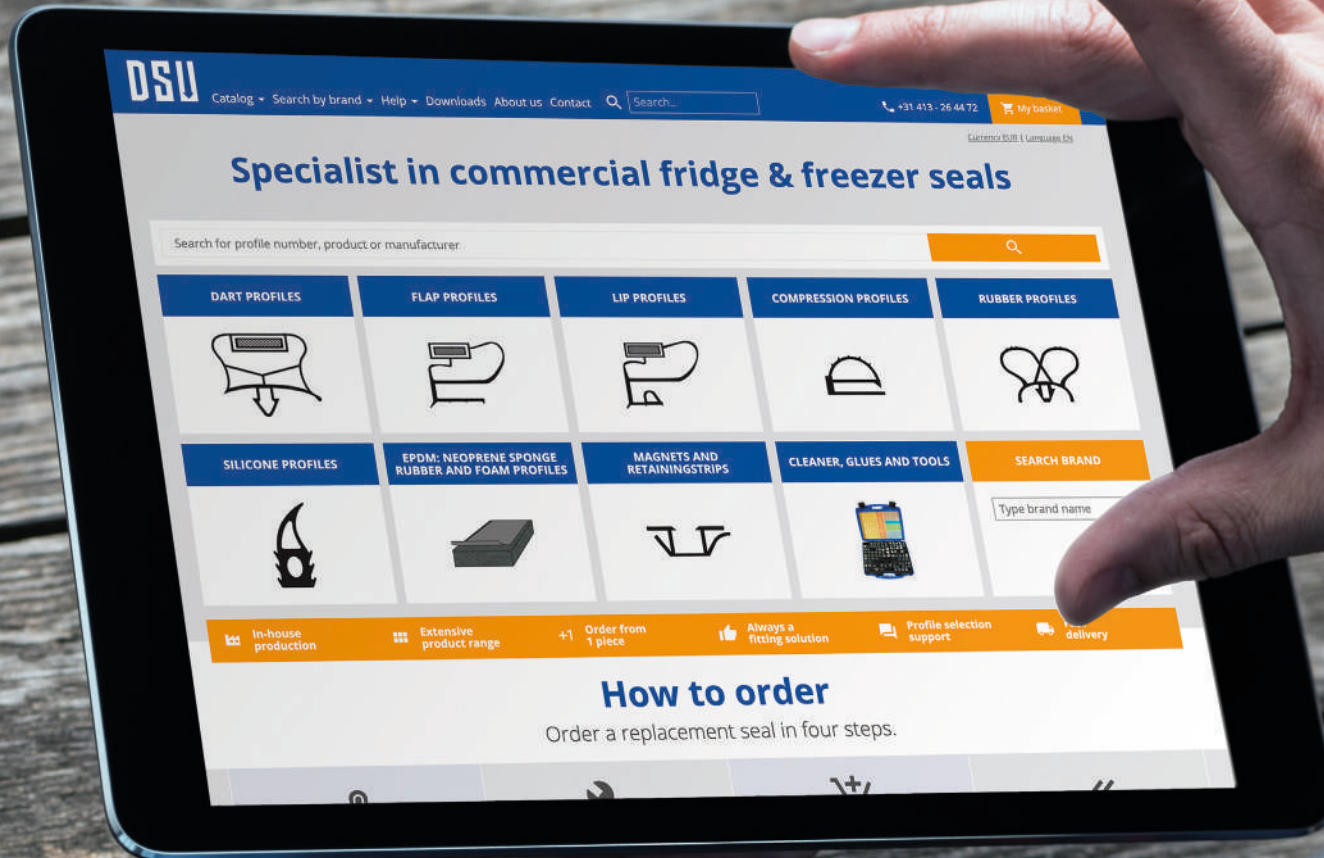
C - magnet

Magnet with the letter C is a magnetic strip with the combination North-South-North, we call this a "contra" magnet. The M - magnet and C - magnet will attract each other.

B - magnet

Magnet with the letter B is bi-polar (2-poles) magnetic strip. This type of magnetic strip is only rarely used in refrigerator seals. When a bi-polar magnet is applied it is important to check and test which pole needs to be positioned on the inside and which pole on the outside.

www.dsu-nl.com



DSU

Catalog ▾ Search by brand ▾ Help ▾ Downloads About us Contact 🔍 Search...

+31 413 - 26 44 72 🛒 My basket

Customer login | Language EN

Specialist in commercial fridge & freezer seals

Search for profile number, product or manufacturer.



DART PROFILES



FLAP PROFILES



LIP PROFILES



COMPRESSION PROFILES



RUBBER PROFILES



SILICONE PROFILES



EPDM: NEOPRENE SPONGE RUBBER AND FOAM PROFILES



MAGNETS AND RETAININGSTRIPS



CLEANER, GLUES AND TOOLS



SEARCH BRAND

Type brand name

In-house production

Extensive product range

Order from 1 piece

Always a fitting solution

Profile selection support

delivery

How to order

Order a replacement seal in four steps.

Afinox

Afinox fridge door seal or drawer seal

Fridge seal profiles applied in Afinox professional catering and foodservice refrigeration equipment:



132-M	25-M	70-M	73-M
Calculate price	Calculate price	Calculate price	Calculate price

Other

Profile not found?



Send us a picture

[Identify profile](#)

Identify the seal profile of Afinox refrigeration equipment.

Replace a fridge or freezer door seal in 4 steps.

About Afinox

Afinox is an Italian producer of professional refrigeration equipment for the hospitality and catering sector;

OTHER BRANDS

Brands overview

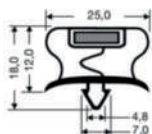
- Aber
- Accona
- Aemmegele
- Afinox
- Ahmet Yar
- AHT
- Aichinger
- AIFO
- AKE
- Alaska
- Alba Horovice
- Alcold
- Alinox
- Alluserv
- Almaco
- Alnox
- Alpeninox
- Alpfrigo
- Aluminox
- Ambach
- American Panel
- Ameristar
- Amitek
- Angelo Po
- Anthony
- ARCO
- Arctic Air
- Arctica
- Ardco

Find the profiles used per brand via "search by brand" on our website

195-M



195-M



🔍 View true size

⏪ Back to overview

Materials

- Standard profile**
195-M EUR 0,00
- Soft profile**
195-MS EUR 0,00
- Extended Life profile**
195-ME EUR 0,00

Composition

- 4 sides - 4x magnet
- Strong magnet

Measurement method

- A size (Outside-to-Outside)
- C size (Dart-to-Dart)

Color

- Black
- White

Measurements

short side cm

long side cm

Reference

Polaris prep counter

Summary



195-M

- 4 sides - 4x magnet
- A size (Outside-to-Outside)
- Black
- 62.4 cm × 38.3 cm (length × width)

Per piece	EUR 0,00
Quantity	1
Sub total	EUR 0,00
Total amount:	EUR 0,00

🛒 Add to basket

Quantity

Collective discount

DSU Fridge Seal B.V.

Neutronenlaan 1
5405 NG Uden
The Netherlands

☎ +31 413 264 472

☎ +31 413 269 068

✉ sales@dsu-nl.com

🌐 www.dsu-nl.com

📞 +31 6 30 50 3000

WhatsApp

